

Essente 316

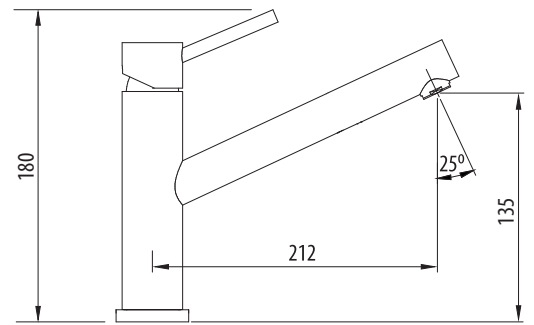
Lead FREE

316 | Marine Grade Stainless Steel

All dimensions in mm

SS31610

Stainless Steel Swivel Mixer



Specifications /

WELS rating	5 Stars, 6.0 L per minute
WELS registration number	T43177
Temperature rating (min / max)	1°C - 65°C
Pressure rating (min / max)	150 kPa - 500 kPa
Finish	Natural (stainless steel)
Materials	316 Grade stainless steel body and handle
Cartridge size	35 mm
Cartridge type	Ceramic disc cartridge
Carton size	500 x 310 x 75mm
Product weight	2 kg
Mixer height	180 mm
Water supply	Mains
Warranty	15 years (see Oliveri website for full details)
Maintenance and care instructions	All surfaces should be cleaned with mild liquid detergent or soap and water. Do not use cream cleaners or citrus based cleaning products, as they are abrasive. Use of unsuitable cleaning agents may damage the surface. Any damage caused in this way will not be covered by warranty.

