

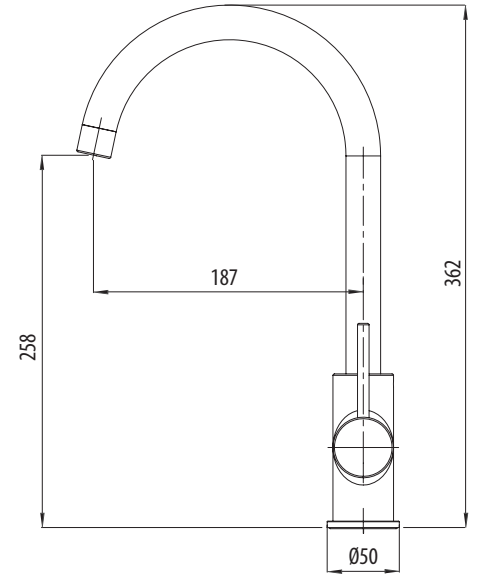
# Venice

**VE520FMB**

Matte Black Goose Neck Mixer

Lead  **FREE**

All dimensions in mm



## Specifications /

<b>WELS rating</b>	5 Stars, 6.0 L per minute
<b>WELS registration number</b>	T43015
<b>Temperature rating (min / max)</b>	1°C - 80°C
<b>Pressure rating (min / max)</b>	150 kPa - 500 kPa
<b>Finish</b>	Matte black (Electroplate)
<b>Materials</b>	Lead free brass body
<b>Cartridge size</b>	35 mm
<b>Cartridge type</b>	Ceramic disc cartridge
<b>Carton size</b>	405 x 285 x 60 mm
<b>Product weight</b>	1.8 kg
<b>Mixer height</b>	362 mm
<b>Water supply</b>	Mains
<b>Warranty</b>	10 years (see Oliveri website for full details)
<b>Maintenance and care instructions</b>	All surfaces should be cleaned with mild liquid detergent or soap and water. Do not use cream cleaners or citrus based cleaning products, as they are abrasive. Use of unsuitable cleaning agents may damage the surface. Any damage caused in this way will not be covered by warranty.

Revision date: 21-05-2024



**Australia** 08 8348 6444 [oliveri.com.au](http://oliveri.com.au) **New Zealand** 0800 440 606 [oliveri.co.nz](http://oliveri.co.nz)

**BATHROOM COLLECTIVE**

Phone Number: (02) 9011-5711