

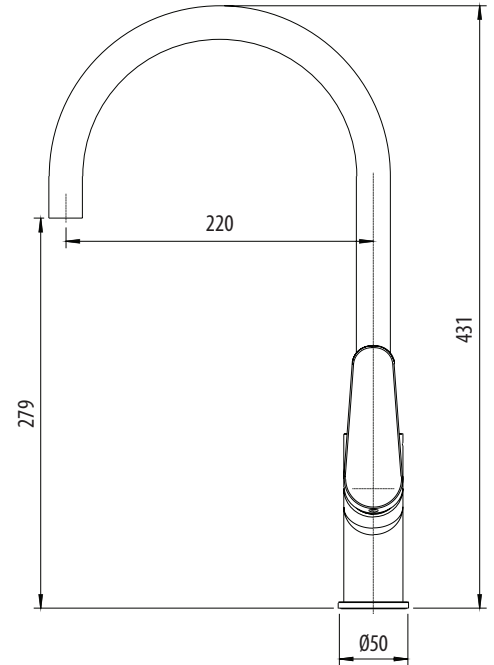
Verona

VA306507WH

White Goose Neck Mixer

Lead  FREE

All dimensions in mm



Specifications /

WELS rating	6 Stars, 4.5 L per minute
WELS registration number	T43461
Temperature rating (min / max)	1°C - 65°C
Pressure rating (min / max)	150 kPa - 500 kPa
Finish	White (electrophoretic painting - satin finish)
Materials	Lead free brass body
Cartridge size	35 mm
Cartridge type	Ceramic disc cartridge
Carton size	480 x 300 x 60 mm
Product weight	2.1 kg
Mixer height	431 mm
Water supply	Mains
Warranty	15 years (see Oliveri website for full details)
Maintenance and care instructions	All surfaces should be cleaned with mild liquid detergent or soap and water. Do not use cream cleaners or citrus based cleaning products, as they are abrasive. Use of unsuitable cleaning agents may damage the surface. Any damage caused in this way will not be covered by warranty.

