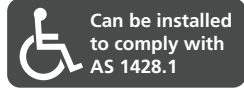


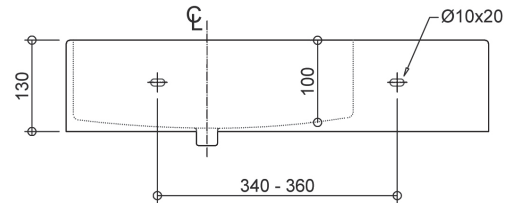
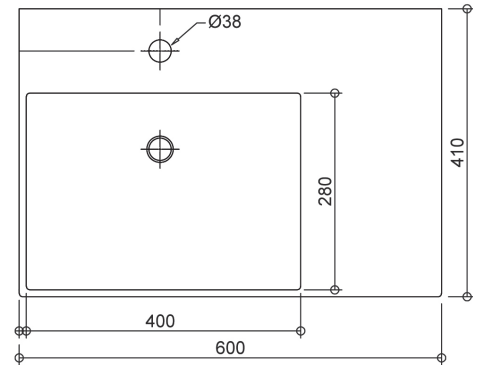
Munich

MU006WH

Wall Hung Basin with Shelf (Right Hand)



All dimensions in mm



Specifications /

Tap holes	1 tap hole
Waste outlet	Pop up waste sold separately
Overflow	Included (with plastic chrome plated overflow ring)
Colours	White
Basin size	600 W x 410 H x 130 mm
Bowl size	400 W x 280 H x 100 D mm
Bowl capacity	11.2 L
Material	Vitreous china
Installation	Wall hung
Weight	17.0 kg
Commercial warranty	10 years replacement parts, 1 year labour (see Oliveri website for full details)
Maintenance and care instructions	All surfaces should be cleaned with mild liquid detergent or soap and water. Do not use cream cleaners or citrus based cleaning products, as they are abrasive. Use of unsuitable cleaning agents may damage the surface. Any damage caused in this way will not be covered by warranty.