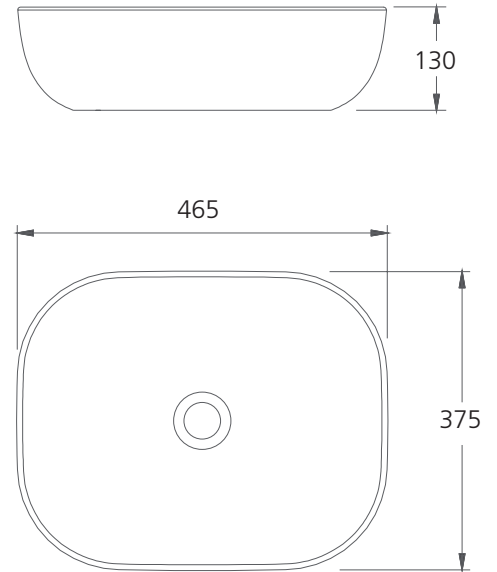


Naples

NA7115B

Black Line Counter Top Basin

All dimensions in mm



Specifications /

Tap holes	Not available
Waste outlet	Pop up waste sold separately
Overflow	Not available
Colour	White
Basin/bowl size	465 W x 375 H x 130 D mm
Bowl capacity	10.5 L
Material	Vitreous china
Installation	Counter top
Weight	8.5 kg
Warranty	20 years replacement parts, 1 year labour (see Oliveri website for full details)
Maintenance and care instructions	All surfaces should be cleaned with mild liquid detergent or soap and water. Do not use cream cleaners or citrus based cleaning products, as they are abrasive. Use of unsuitable cleaning agents may damage the surface. Any damage caused in this way will not be covered by warranty.