

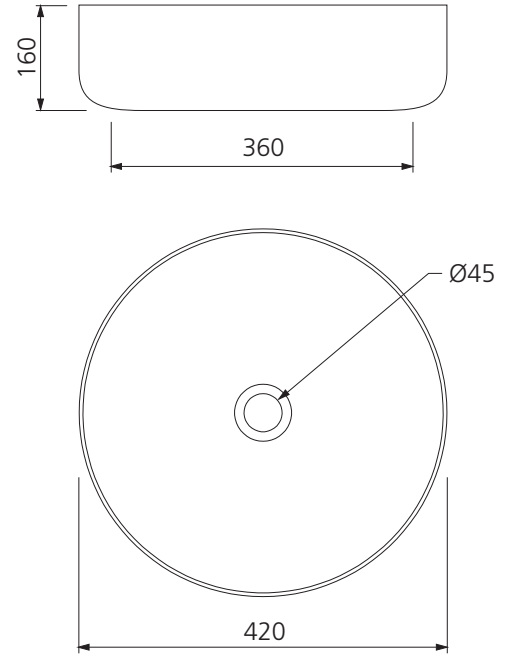
Terzofoco

Italian made 

All dimensions in mm

TZ0209RC

Red Clay Circular Counter Top Basin



Specifications /

Basin Size	420 W x 420 H x 160 D mm
Bowl capacity	14.0 L
Waste outlet	Pop up waste sold separately
Overflow	Not available
Material	Refractory clay
Colour	Red Clay
Installation	Counter top
Weight	12 kg
Carton size	510 W x 510 H x 310 D mm
Warranty	Lifetime manufacturer's warranty (see Oliveri website for full details)
Maintenance and care instructions	Each basin in this collection is handmade. In order to preserve the appearance and durability of the product, all surfaces should be cleaned gently with a mild liquid detergent or soap and water. Rinse away any trace of detergent and dry with a clean soft cloth. Do not allow materials such as toothpaste, nail polish remover, caustic drain cleaner, alcohol or bleach to remain on the surface, they may damage the finish. Use of unsuitable cleaning agents may also damage the surface. Any damage caused in this way will not be covered by warranty.

BATHROOM COLLECTIVE

Phone Number: (02) 9011-5711



Australia 08 8348 6444 oliveri.com.au

New Zealand 0800 440 606 oliveri.co.nz