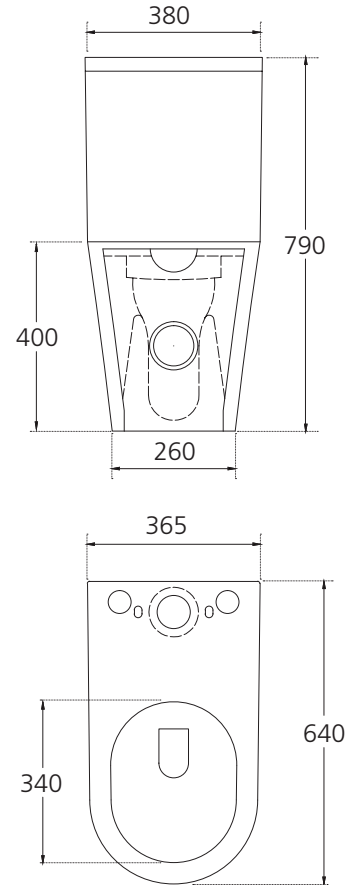


Dublin

DU1343 (Pan: DU1343BT / Cistern: DU1343BW / Seat: DU1343BST)
Back To Wall Toilet Suite



All dimensions in mm

Specifications /

| | |
|--|--|
| WELs Rating | 4 star, 3.5 L avg flush volume (4.5 L / 3 L) |
| Pan | Rimless / Easy-clean design |
| Traps | Universal (S or P Trap) |
| Set outs | S-trap set out 50 mm - 160 mm as standard. P-trap set out 185 mm floor to centre of outlet. Optional S-trap set out 150 mm - 245 mm (SPB0201) |
| Inlet | Bottom or back inlet |
| Cistern | Geberit dual flush valve (4.5 L / 3 L) |
| Fixing | The cistern is fixed directly to the pan with a robust concealed base fixing system without the need for wall fixing. |
| Seat | Soft close and quick release toilet seat is provided as standard. Compression moulded toilet seat, fitted with buffers and metal hinges. |
| Colours | White |
| Installation | The installation of the toilet suite shall be in accordance with the normal minimum drain line grade requirements in AS/NZS 3500.2. |
| Materials | Vitreous china |
| Weight | 48.0 kg |
| Parts list | Cover cap, inlet valve, flush valve, rubber ring, brass bolt set connected with cistern and pan, supply hose, bung for bottom entry in cistern, hose, push button, standard pipe, round seat cover, hinge, decorative cover, s-trap connector, seal ring, fixing plate, fixing screw, floor fixing screw |
| Warranty | 20 years vitreous china cistern and pan replacement of product; 5 years replacement seat; 2 years valves and fittings; 1 year seals and labour (see Oliveri website for full details) |
| Maintenance and care instructions | All surfaces should be cleaned with mild liquid detergent or soap and water. Do not use cream cleaners or citrus based cleaning products, as they are abrasive. Use of unsuitable cleaning agents may damage the surface. Any damage caused in this way will not be covered by warranty. |

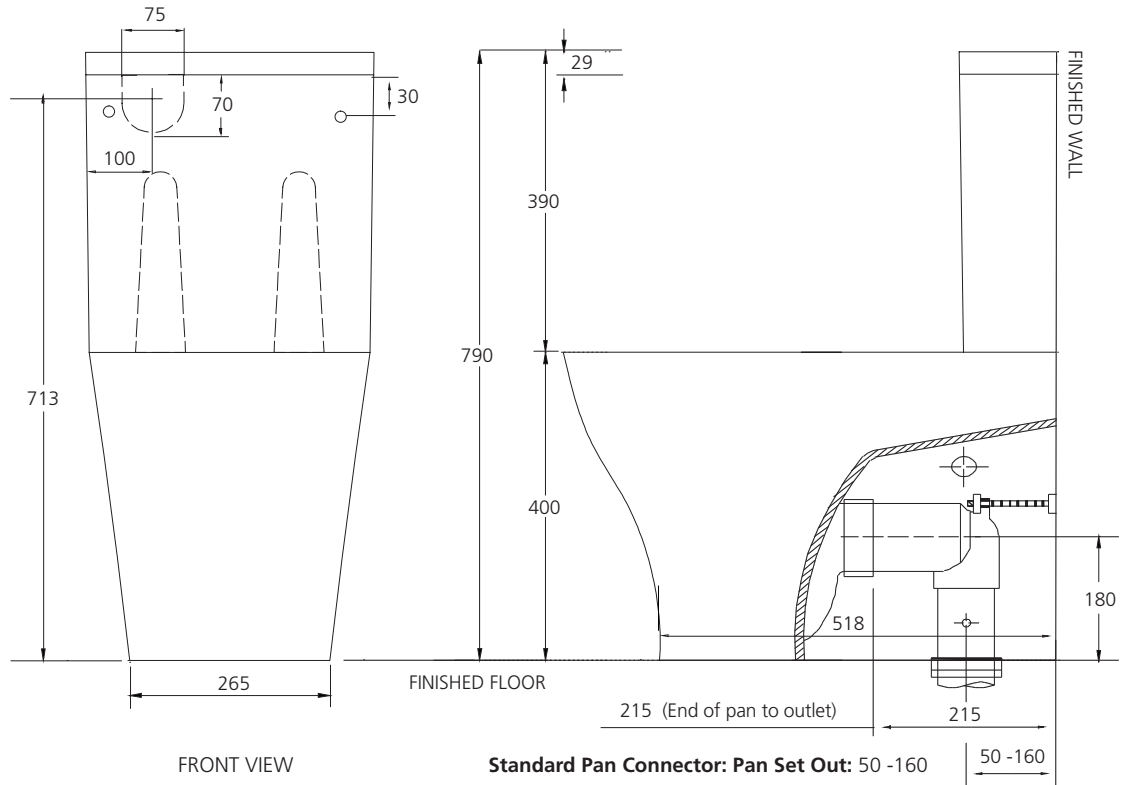
Dublin

SET OUT DRAWING

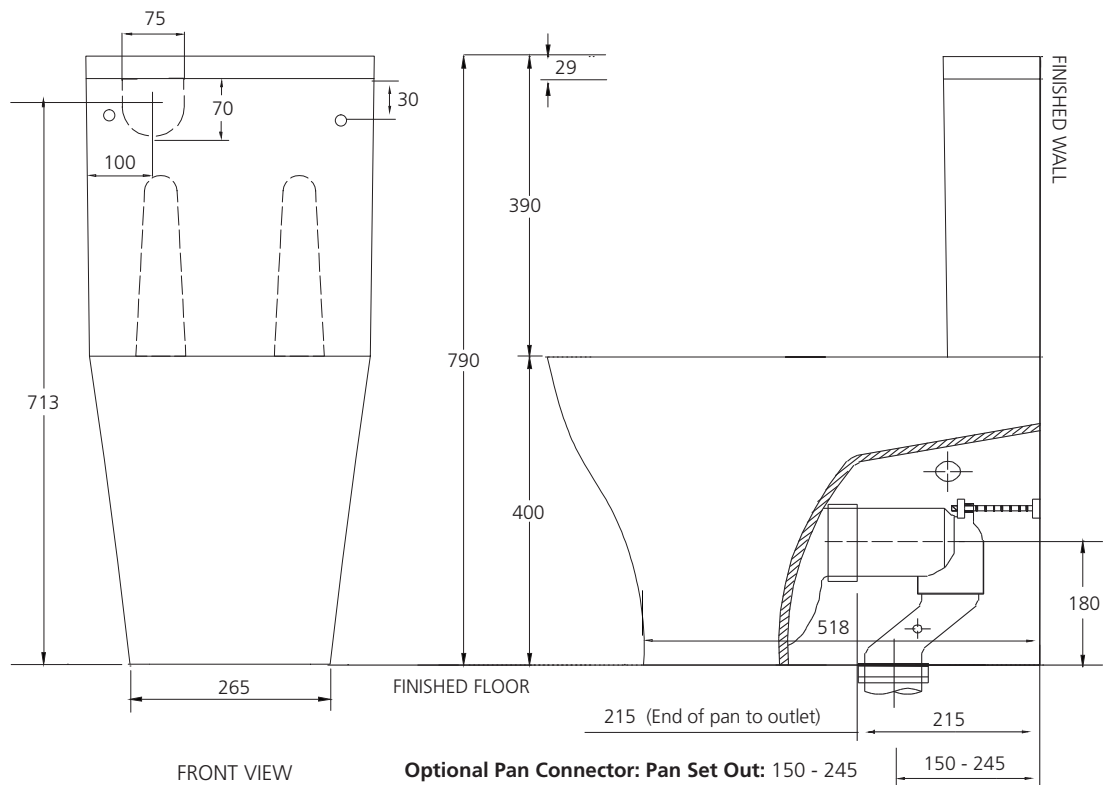
All dimensions in mm

DU1343 (Pan: DU1343BT / Cistern: DU1343BW / Seat: DU1343BST)

Back To Wall Toilet Suite



OPTIONAL SET OUT DRAWING



© Registered trademark of Oliveri Solutions. Under its policy of ongoing product development Oliveri Solutions may from time to time change product specification without notice. All dimensions given are approximate and should be checked prior to installation. See Oliveri website for installation and warranty details.

Revision date: 30-10-2023



Australia 08 8348 6444 oliveri.com.au New Zealand 0800 440 606 oliveri.co.nz

BATHROOM COLLECTIVE

Phone Number: (02) 9011-5711