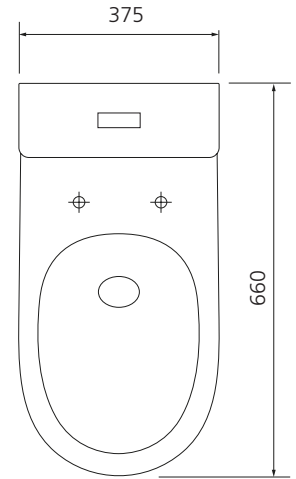
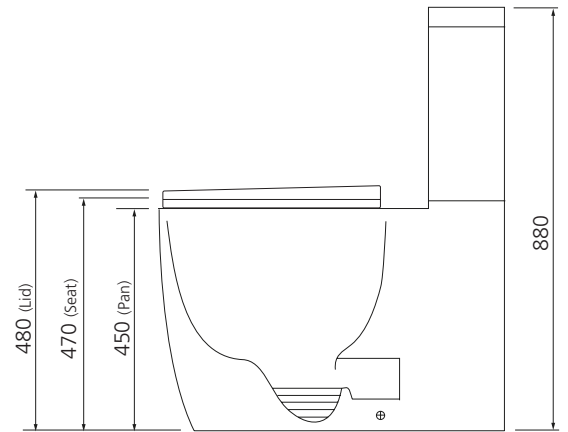


# Naples

**NA380CH** (Pan: NA380CH-P / Cistern: NA380CH-C / Seat: NA380CH-ST)  
 Comfort Height Back To Wall Toilet Suite



All dimensions in mm



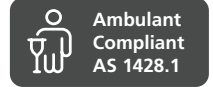
## Specifications /

<b>WELS rating</b>	4 star, 3.5 L avg flush volume (4.6 L / 3 L)
<b>WELS registration number</b>	L08389
<b>Pan</b>	Tornado flush / rimless design
<b>Traps</b>	Universal (S or P Trap)
<b>Set outs</b>	S-trap set out: 100 mm - 180 mm as standard. P-trap set out: 180 mm floor to centre of outlet. Optional S-trap set out: 150 mm - 220 mm (ZH 6201)
<b>Inlet</b>	Bottom or back inlet
<b>Cistern</b>	R&T flush valve (4.6 L / 3 L)
<b>Fixing</b>	The cistern is fixed directly to the pan with a robust concealed base fixing.
<b>Seat</b>	Soft close and quick release toilet seat is provided as standard. Compression moulded toilet seat, fitted with buffers and metal hinges.
<b>Colour</b>	White
<b>Installation</b>	The installation of the toilet suite shall be in accordance with the normal minimum drain line grade requirements in AS/NZS 3500.2. Can be installed for AS 1428.1 Ambulant compliance.
<b>Materials</b>	Vitreous china
<b>Weight</b>	Pan 42.0 kg, cistern 15.0 kg, seat 2.8 kg
<b>Warranty</b>	20 years vitreous china cistern and pan replacement of product; 5 years replacement seat; 2 years valves and fittings; 1 year seals and labour (see Oliveri website for full details)
<b>Maintenance and care instructions</b>	All surfaces should be cleaned with mild liquid detergent or soap and water. Do not use cream cleaners or citrus based cleaning products, as they are abrasive. Use of unsuitable cleaning agents may damage the surface. Any damage caused in this way will not be covered by warranty.

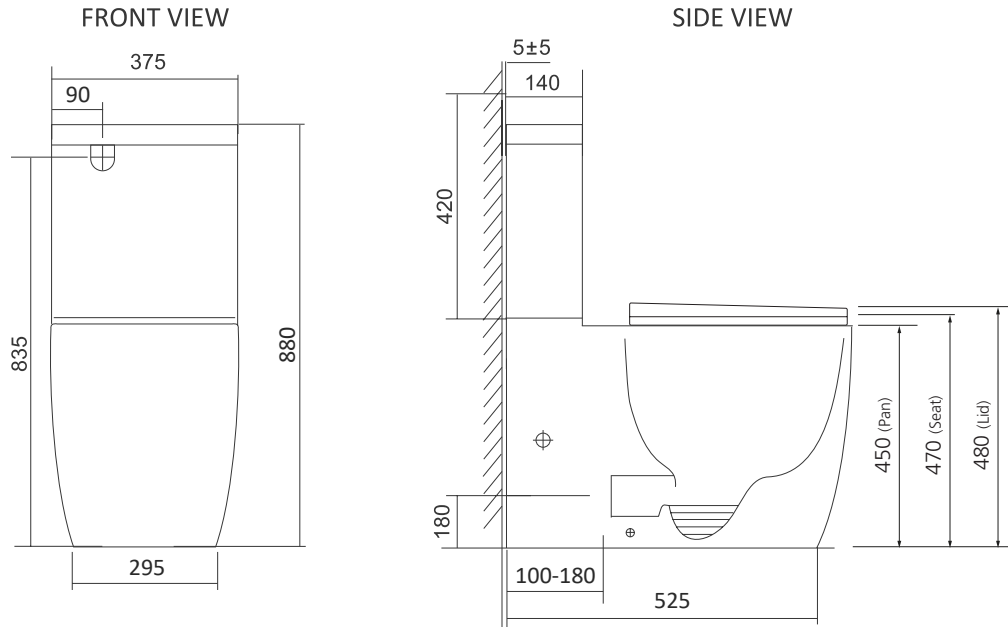
# Naples

## SET OUT DRAWING

**NA380CH** (Pan: NA380CH-P / Cistern: NA380CH-C / Seat: NA380CH-ST)  
 Comfort Height Back To Wall Toilet Suite

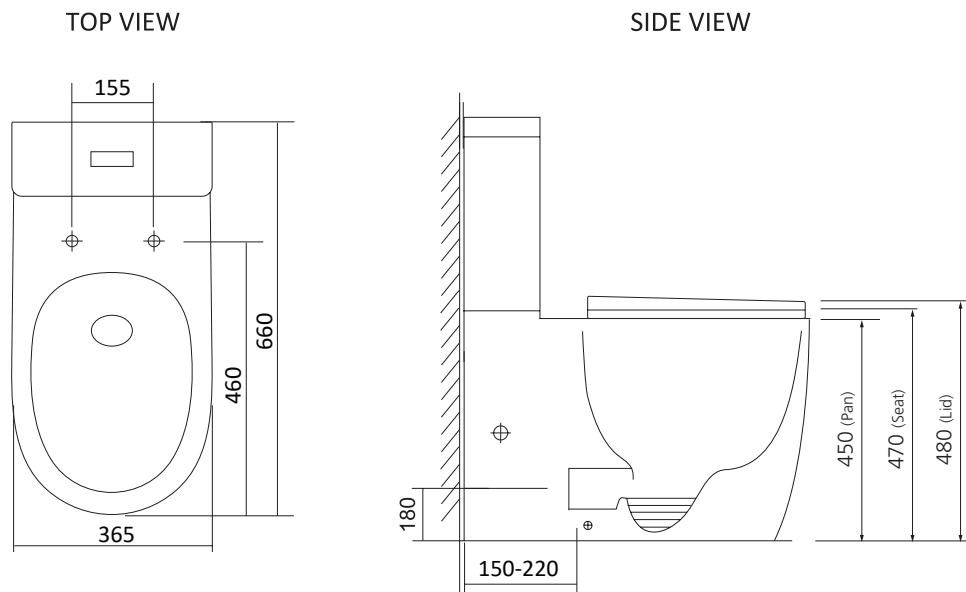


Manufacturing tolerances apply:  $\leq (+/-)$  10 mm All dimensions in mm



**Standard Pan Connector: Pan Set Out: 100 - 180**

## OPTIONAL SET OUT DRAWING



**Optional Pan Connector: Pan Set Out: 150 - 220**

