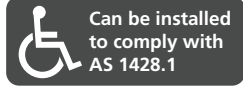


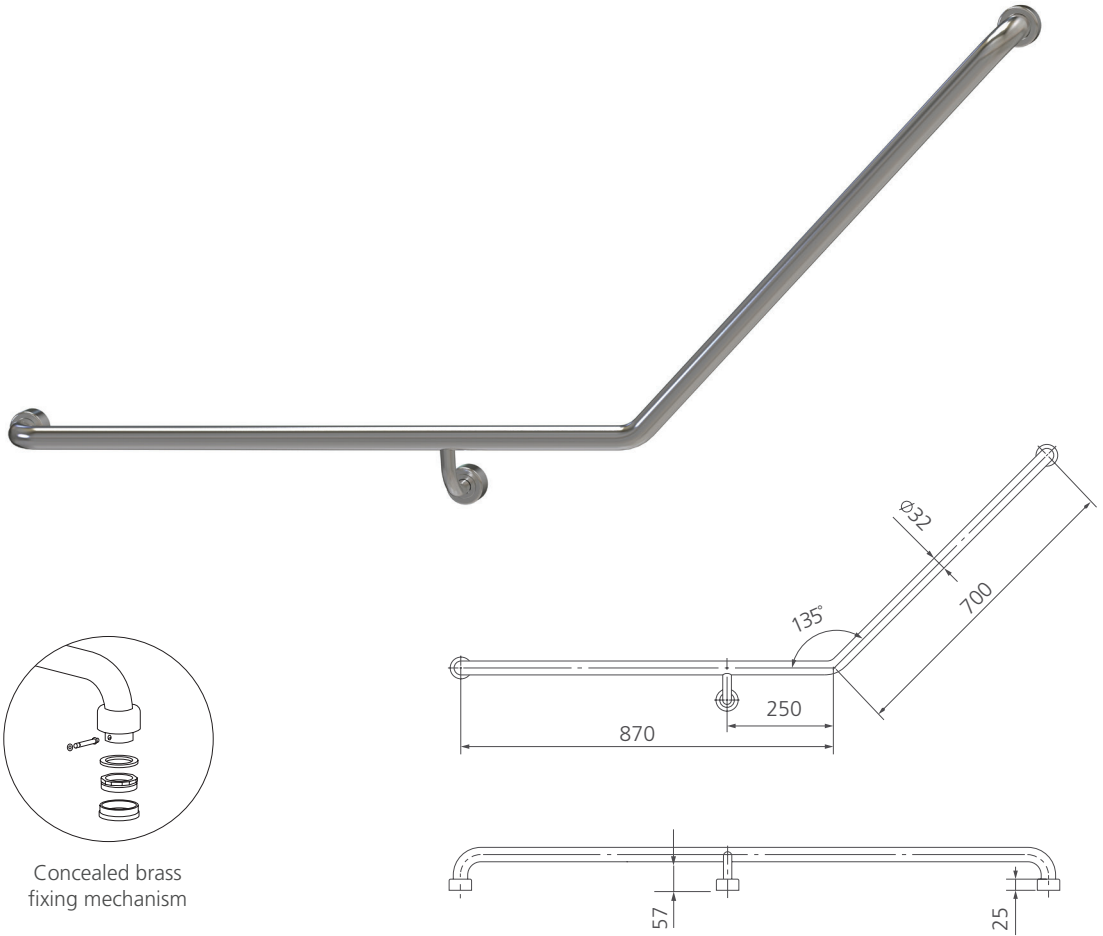
Holdfast

HF819-LH

135 Degree Grab Rail (Left Hand)



All dimensions in mm



Concealed brass fixing mechanism

Specifications /

Rail size	Diameter 32 mm
Application	Domestic and commercial care
Options	Right hand version also available
Fixing	Brass base and connector with secure flange pin and cover to conceal wall fixings
Installation	Can be installed to comply with AS 1428.1 (load rating > 1100 N)
Materials	Satin stainless steel 304 (1.2 mm thick railing tube)
Weight	2.1 kg
Parts list	Grab rail, flange covers and fixings
Commercial warranty	15 years replacement parts and 1 year labour (see Oliveri website for full details)
Maintenance and care instructions	All surfaces should be cleaned with mild liquid detergent or soap and water. Do not use cream cleaners or citrus based cleaning products, as they are abrasive. Use of unsuitable cleaning agents may damage the surface. Any damage caused in this way will not be covered by warranty.



Australia 08 8348 6444 oliveri.com.au New Zealand 0800 440 606 oliveri.co.nz

BATHROOM COLLECTIVE

Phone Number: (02) 9011-5711