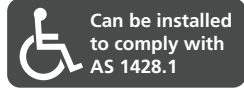


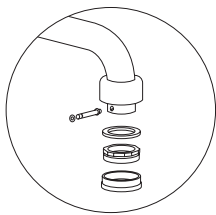
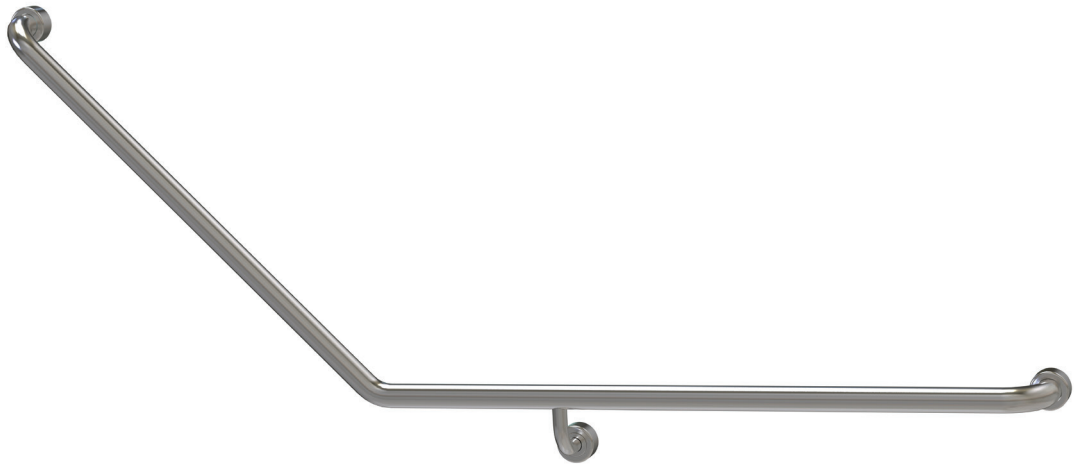
# Holdfast

HF819-RH

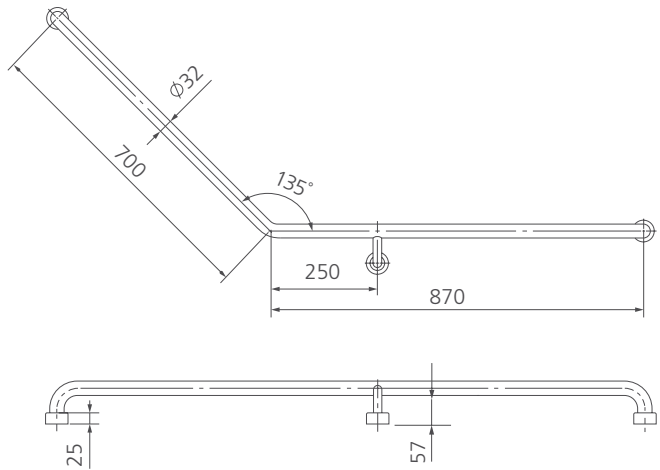
135 Degree Grab Rail (Right Hand)



All dimensions in mm



Concealed brass fixing mechanism



## Specifications /

<b>Rail size</b>	Diameter 32 mm
<b>Application</b>	Domestic and commercial care
<b>Options</b>	Left hand version also available
<b>Fixing</b>	Brass base and connector with secure flange pin and cover to conceal wall fixings
<b>Installation</b>	Can be installed to comply with AS 1428.1 (load rating > 1100 N)
<b>Materials</b>	Satin stainless steel 304 (1.2 mm thick railing tube)
<b>Weight</b>	2.1 kg
<b>Parts list</b>	Grab rail, flange covers and fixings
<b>Commercial warranty</b>	15 years replacement parts and 1 year labour (see Oliveri website for full details)
<b>Maintenance and care instructions</b>	All surfaces should be cleaned with mild liquid detergent or soap and water. Do not use cream cleaners or citrus based cleaning products, as they are abrasive. Use of unsuitable cleaning agents may damage the surface. Any damage caused in this way will not be covered by warranty.



Australia 08 8348 6444 [oliveri.com.au](http://oliveri.com.au) New Zealand 0800 440 606 [oliveri.co.nz](http://oliveri.co.nz)

**BATHROOM COLLECTIVE**

Phone Number: (02) 9011-5711