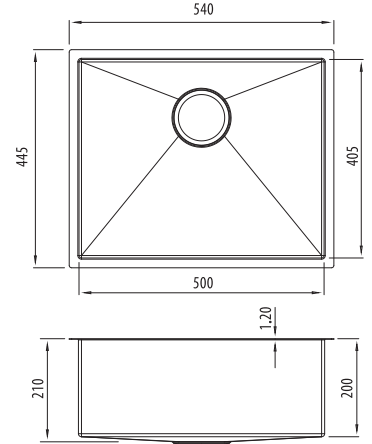


Spectra

SB50CU

Single Bowl Copper Sink

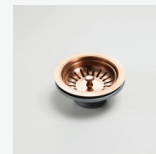
All dimensions in mm



Specifications /

Sink size	540W x 445H mm
Bowl size	Large Bowl 500W x 405H x 200D / 40L
Construction	Fabricated with 5mm radius corners, Softtone® and soundproofing
Material	304 grade, 18/10 coloured stainless steel (1.2 mm thick)
Installation	Topmount, undermount or flushmount
Fixings	Topmount clips supplied only
Min cabinet size	600 mm
Tap holes	N/A
Waste fittings	1 x 90 mm coloured basket waste included
Overflow	Not available
Carton size	640 x 540 x 330 mm
Weight	15 kg
Warranty	Lifetime manufacturer's warranty (refer to oliveri.com.au)
Maintenance and care instructions	All surfaces should be cleaned with mild liquid detergent or soap and water. To maintain the shine on your Oliveri stainless steel sink, we recommended the use of any of the easy to obtain, non-abrasive stainless steel cleaners or metal polishes.

Included accessories /



ACBWCU
Basket Waste



ACBPCU-1
Bowl Protector



ACP104F
Bamboo Board



ACP109CU
Bench Top
Drainer Tray

