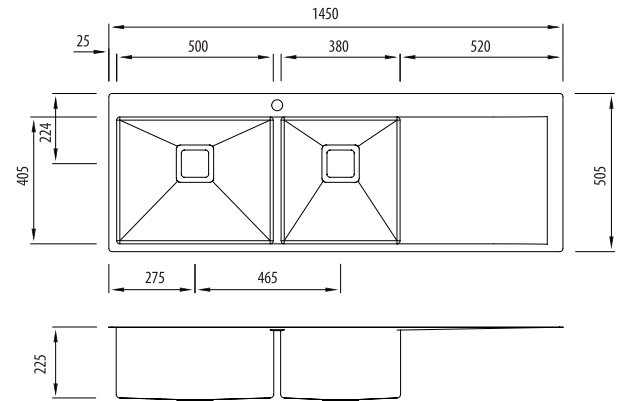


Professional Series

PR1111

1 & 3/4 Bowl Topmount Sink With Drainer

All dimensions in mm



Specifications /

Sink size	1450W x 505H mm
Bowl size	Grand Bowl 500W x 405H x 225D / 46L 3/4 Bowl 380W x 405H x 225D / 35L
Construction	Fabricated with 10 mm radius corners, Softtone® and soundproofing.
Material	304 grade, 18/10 brushed stainless steel (1.5 mm thick)
Installation	Topmount
Fixings	Topmount clips supplied
Min cabinet size	1000 mm
Tap holes	1 tap hole only
Waste fittings	2 x 90 mm basket waste included
Overflow	Not available
Carton size	1550 x 595 x 290 mm
Weight	24 kg
Warranty	Lifetime manufacturer's warranty (refer to oliveri.com.au)
Maintenance and care instructions	All surfaces should be cleaned with mild liquid detergent or soap and water. To maintain the shine on your Oliveri stainless steel sink, we recommended the use of any of the easy to obtain, non-abrasive stainless steel cleaners or metal polishes.

Included accessories /



AC175Q
Basket Waste



AC175Q
Basket Waste



ACPSQ3
Bowl Protector



ACPSQ8
Bowl Protector



ACP141
Multi Use
Preparation Kit



For more information call 08 8348 6444 or visit oliveri.com.au

BATHROOM COLLECTIVE

Phone Number: (02) 9011-5711