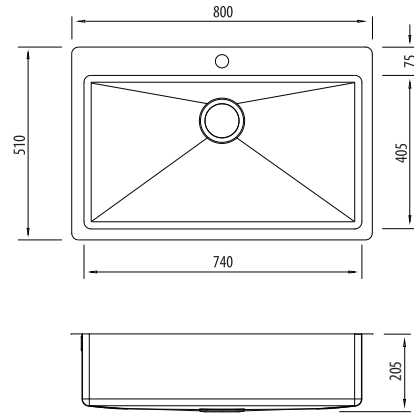


Apollo

AP1491

Mega Bowl Sink

All dimensions in mm



Specifications /

Sink size	800W x 510H mm
Bowl size	Mega Bowl 740W x 405H x 200D / 60L
Construction	Fabricated with 18 mm radius corners, Softtone® and soundproofing.
Material	304 grade, 18/10 brushed stainless steel (1.2 mm thick)
Installation	Topmount, undermount or flushmount
Fixings	Topmount clips supplied
Min cabinet size	900 mm
Tap holes	1 tap hole only (suitable for additional tap holes)
Waste fittings	1 x 90 mm basket waste included
Overflow	Not available
Carton size	855 x 570 x 270 mm
Weight	15 kg
Warranty	Lifetime manufacturer's warranty (refer to oliveri.com.au)
Maintenance and care instructions	All surfaces should be cleaned with mild liquid detergent or soap and water. To maintain the shine on your Oliveri stainless steel sink, we recommended the use of any of the easy to obtain, non-abrasive stainless steel cleaners or metal polishes.

Included accessories /



AC28
Basket Waste



ACP134
Colander



ACP124
Bamboo Board



For more information call 1300 13 7465 or visit oliveri.com.au

BATHROOM COLLECTIVE

Phone Number: (02) 9011-5711