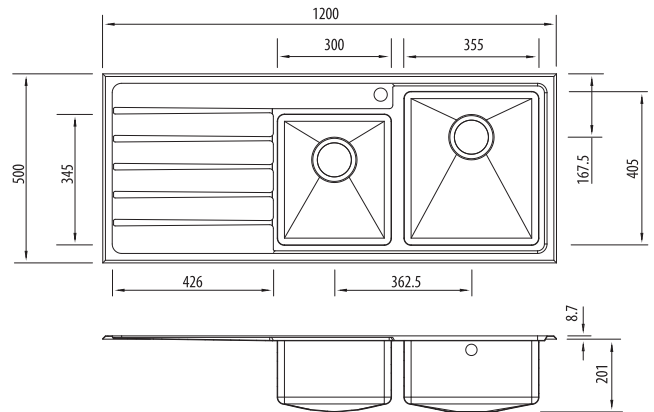


# Apollo

## AP1412

1 & 3/4 Bowl Sink With Drainer

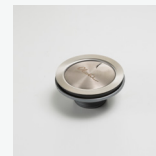
All dimensions in mm



### Specifications /

<b>Sink size</b>	1200W x 500H mm
<b>Bowl size</b>	Main Bowl 355W x 405H x 200D / 29L 3/4 Bowl 300W x 345H x 200D / 21L
<b>Construction</b>	Fabricated with 18 mm radius corners, Softtone® and soundproofing.
<b>Material</b>	304 grade, 18/10 brushed stainless steel (1.2 mm thick)
<b>Installation</b>	Topmount
<b>Fixings</b>	Topmount clips supplied
<b>Min cabinet size</b>	800 mm
<b>Tap holes</b>	1 tap hole only (suitable for additional tap holes)
<b>Waste fittings</b>	2 x 90 mm basket wastes included
<b>Overflow</b>	Not available
<b>Carton size</b>	1255 x 575 x 270 mm
<b>Weight</b>	15 kg
<b>Warranty</b>	Lifetime manufacturer's warranty (refer to <a href="http://oliveri.com.au">oliveri.com.au</a> )
<b>Maintenance and care instructions</b>	All surfaces should be cleaned with mild liquid detergent or soap and water. To maintain the shine on your Oliveri stainless steel sink, we recommended the use of any of the easy to obtain, non-abrasive stainless steel cleaners or metal polishes.

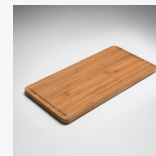
### Included accessories /



**AC28**  
Basket Waste



**AC28**  
Basket Waste



**ACP124**  
Bamboo Board



**ACP134**  
Colander



For more information call 08 8348 6444 or visit [oliveri.com.au](http://oliveri.com.au)

**BATHROOM COLLECTIVE**

Phone Number: (02) 9011-5711