

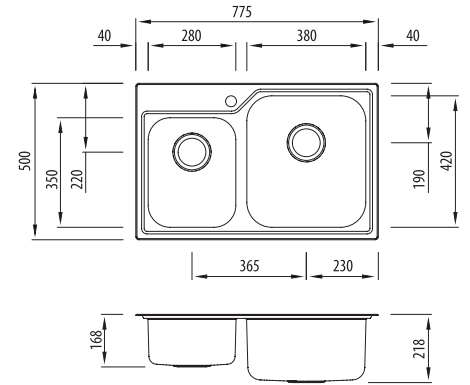
# Nu-Petite

Proudly Aussie made

All dimensions in mm

## NP616

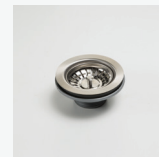
1 & 3/4 Bowl Topmount Sink



### Specifications /

<b>Sink size</b>	775W x 500H mm
<b>Bowl size</b>	Main Bowl 380W x 420H x 200D / 30L 3/4 Bowl 280W x 350H x 130D / 11L
<b>Construction</b>	2 piece, bowls and rim seam welded
<b>Material</b>	304 grade, 18/10 polished stainless steel (0.8 mm thick)
<b>Installation</b>	Topmount
<b>Fixings</b>	Adjustable clips and sealing foam supplied
<b>Min cabinet size</b>	800 mm
<b>Tap holes</b>	Available 0 to 3 tap hole (specify when ordering)
<b>Waste fittings</b>	2 x 90 mm basket wastes included
<b>Overflow</b>	Not available
<b>Carton size</b>	878 x 575 x 226 mm
<b>Weight</b>	8 kg
<b>Warranty</b>	Lifetime manufacturer's warranty (refer to oliveri.com.au)
<b>Maintenance and care instructions</b>	All surfaces should be cleaned with mild liquid detergent or soap and water. To maintain the shine on your Oliveri stainless steel sink, we recommended the use of any of the easy to obtain, non-abrasive stainless steel cleaners or metal polishes.

### Included accessories /



**AC14**  
Basket Waste



**AC14**  
Basket Waste



**AC65**  
Bamboo Board



**AC62**  
Colander



**AC63**  
Utility Tray



For more information call 1300 13 7465 or visit [oliveri.com.au](http://oliveri.com.au)

**BATHROOM COLLECTIVE**

Phone Number: (02) 9011-5711