

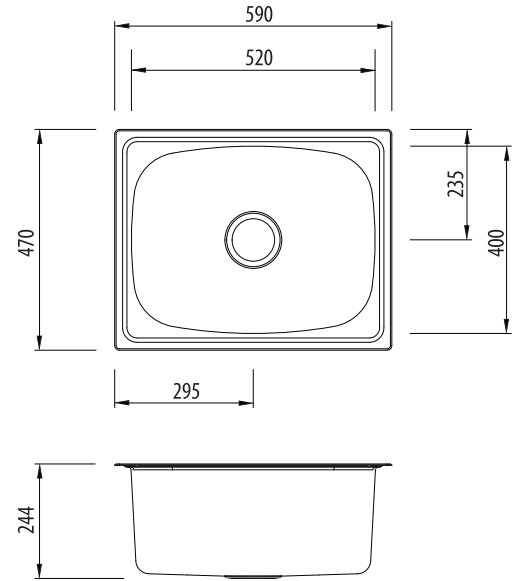
# Laundry

Proudly Aussie made

All dimensions in mm

## TI45

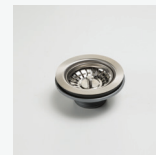
45L Laundry Tub



### Specifications /

<b>Sink size</b>	590W x 470H mm
<b>Bowl size</b>	45L Tub Bowl 520W x 400H x 235D / 45L
<b>Construction</b>	Single piece with soundproofing
<b>Material</b>	304 grade, 18/10 polished stainless steel (0.8 mm thick)
<b>Installation</b>	Inset recommended
<b>Fixings</b>	Adjustable clips and sealing foam supplied
<b>Min cabinet size</b>	600 mm
<b>Tap holes</b>	Available 0 - 2 tap holes (specify positioning when ordering)
<b>Waste fittings</b>	1 x 90 mm basket waste included
<b>Overflow</b>	Available (refer TI45S/OF)
<b>Carton size</b>	600 x 480 x 260 mm
<b>Weight</b>	7.0 kg
<b>Warranty</b>	Lifetime manufacturer's warranty (refer to oliveri.com.au)
<b>Maintenance and care instructions</b>	All surfaces should be cleaned with mild liquid detergent or soap and water. To maintain the shine on your Oliveri stainless steel sink, we recommended the use of any of the easy to obtain, non-abrasive stainless steel cleaners or metal polishes.

### Included accessories /



**AC14**  
Basket Waste

For more information call 1300 13 7465 or visit [oliveri.com.au](http://oliveri.com.au)

**BATHROOM COLLECTIVE**

Phone Number: (02) 9011-5711