

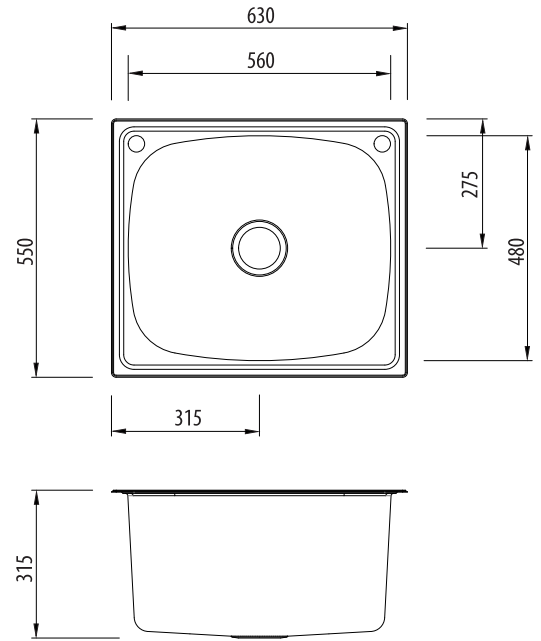
Laundry

TI70S

70L Laundry Tub With Rinse Bypass Kit



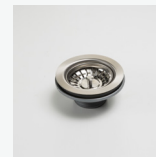
All dimensions in mm



Specifications /

Sink size	630W x 550H mm
Bowl size	70L Tub Bowl 560W x 480H x 305D / 70L
Construction	Single piece with soundproofing
Material	304 grade, 18/10 polished stainless steel (0.9 mm thick)
Installation	Inset recommended
Fixings	Adjustable clips and sealing foam supplied
Min cabinet size	700 mm
Tap holes	2 x 41 mm bypass holes
Waste fittings	1 x 90 mm basket waste included
Overflow	Available
Carton size	640 x 560 x 340 mm
Weight	8.0 kg
Warranty	Lifetime manufacturer's warranty (refer to oliveri.com.au)
Maintenance and care instructions	All surfaces should be cleaned with mild liquid detergent or soap and water. To maintain the shine on your Oliveri stainless steel sink, we recommended the use of any of the easy to obtain, non-abrasive stainless steel cleaners or metal polishes.

Included accessories /



AC14
Basket Waste