

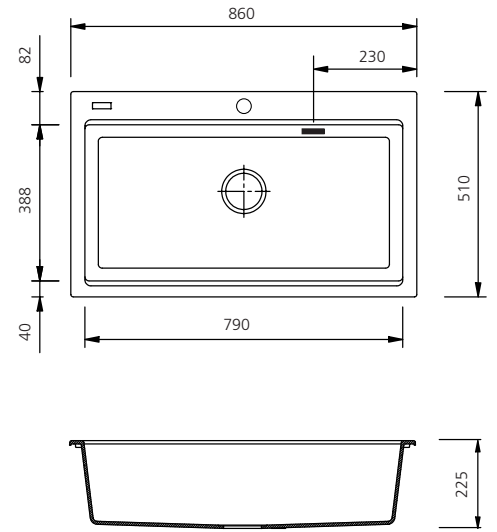
Santorini

Italian made 

All dimensions in mm

ST-MB1596 OF

Matte Black Topmount Workstation Sink

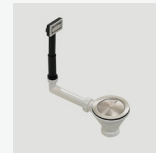


 Overflow location

Specifications /

Sink size	860 W x 510 H mm
Bowl size	Workstation Bowl 790 W x 388 H x 225 D / 68 L
Construction	Moulded granite
Material	80% granite and quartz particles and 20% acrylic
Installation	Topmount
Fixings	Supplied
Reversible	No
Min cabinet size	900 mm
Tap holes	One tap hole only
Waste fittings	1 x 90 mm basket waste included
Overflow	Overflow kit included
Carton size	960 x 590 x 310 mm
Weight	22 kg
Warranty	Lifetime manufacturer's warranty (refer to Oliveri website)
Maintenance and care instructions	Clean the sink regularly with warm water, a liquid detergent and a soft cloth. Do not use abrasive powders or creams and avoid chemically aggressive detergents. Generic stains should be removed immediately with very hot water and a cleaning product. For organic stains which are especially difficult to remove, it is recommended that you fill the sink with a highly diluted organic cleaner such as bleach and let stand overnight. The next morning, rinse with warm water and a soft cloth.

Included accessories /



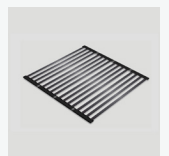
AC10
Basket Waste with
Rectangular Overflow



ACWSC1596BK
Black Workstation
Plastic Colander



ACWSB1596BK
Black Workstation
Preparation Board



ACWSRM1596BK
Black Workstation
Roller Mat



For more information call 08 8348 6444 or visit oliveri.com.au

BATHROOM COLLECTIVE

Phone Number: (02) 9011-5711