

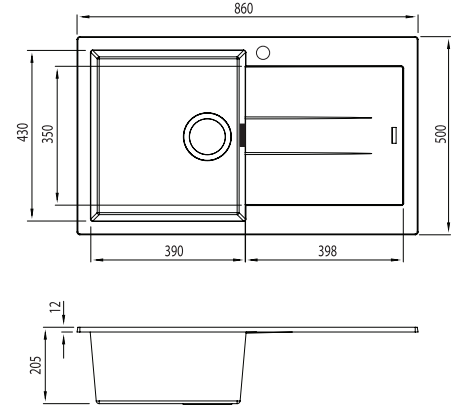
# Santorini

Italian made 

All dimensions in mm

## ST-WH1521 OF

White Single Bowl Topmount Sink With Drainer

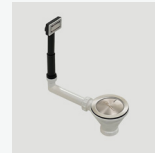


— Overflow location

### Specifications /

|  |   |
|--|---|
| <b>Sink size</b>                         | 860W x 500H mm  |
| <b>Bowl size</b>                         | Main Bowl 2<br>390W x 430H x 200D / 34L   |
| <b>Construction</b>                      | Moulded granite   |
| <b>Material</b>                          | 80% granite and quartz particles and 20% acrylic  |
| <b>Installation</b>                      | Topmount  |
| <b>Fixings</b>                           | Topmount clips supplied   |
| <b>Min cabinet size</b>                  | 500 mm  |
| <b>Tap holes</b>                         | One tap hole only   |
| <b>Waste fittings</b>                    | 1 x 90 mm basket waste included   |
| <b>Overflow</b>                          | Overflow kit included   |
| <b>Carton size</b>                       | 960 x 580 x 310 mm  |
| <b>Weight</b>                            | 15 kg   |
| <b>Warranty</b>                          | Lifetime manufacturer's warranty (refer to Oliveri website)   |
| <b>Maintenance and care instructions</b> | Clean the sink regularly with warm water, a liquid detergent and a soft cloth. Do not use abrasive powders or creams and avoid chemically aggressive detergents. Generic stains should be removed immediately with very hot water and a cleaning product. For organic stains which are especially difficult to remove, it is recommended that you fill the sink with a highly diluted organic cleaner such as bleach and let stand overnight. The next morning, rinse with warm water and a soft cloth. |

### Included accessories /



**AC10**  
Basket Waste with  
Rectangular Overflow



For more information call 08 8348 6444 or visit [oliveri.com.au](http://oliveri.com.au)

**BATHROOM COLLECTIVE**

Phone Number: (02) 9011-5711