

Sicily

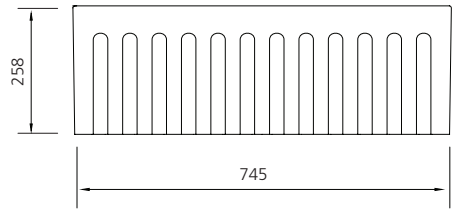
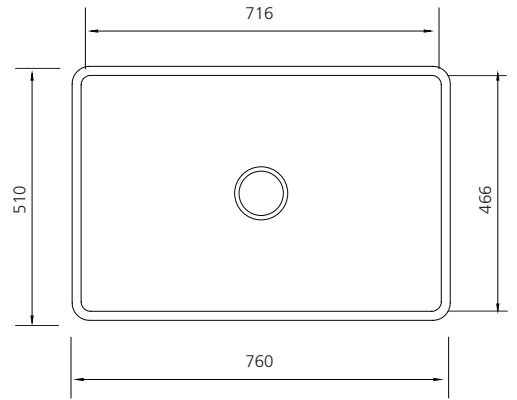
Italian made 

All dimensions in mm

SC-WH1982U

White Fireclay Farmhouse Undermount Sink

Basket waste not included



REVERSIBLE SINK

May be installed with smooth or fluted front

Specifications /

Sink size	760W x 510H x 258D mm
Bowl size	716W x 466H x 234D / 76L
Material	Fireclay
Finish	Gloss white (non-porous glaze)
Installation	Undermount
Min cabinet size	900 mm
Tap holes	N/A
Waste fittings	Not included (1 x 90 mm extended screw length basket waste required)
Overflow	Not available
Carton size	880 x 390 x 620 mm
Weight	45.7 kg CAUTION This product requires a two person lift.
Warranty	Lifetime manufacturer's warranty (see Oliveri website for details)
Maintenance and care instructions	Clean the sink regularly with warm water, a liquid detergent and a soft cloth. Do not use cream cleaners or citrus based cleaning products, as they are abrasive. Use of unsuitable cleaning agents may damage the sink surface.



For more information call 08 8348 6444 or visit oliveri.com.au

BATHROOM COLLECTIVE

Phone Number: (02) 9011-5711