

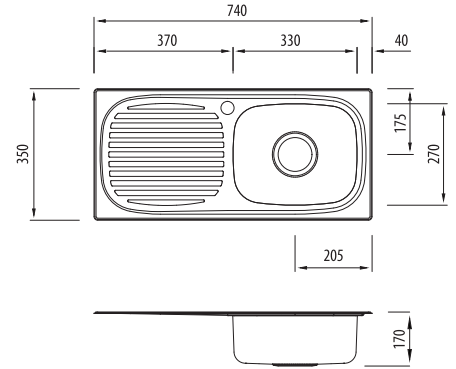
# Martini

Proudly Aussie made

All dimensions in mm

## MR502

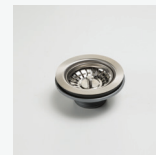
3/4 Bowl Topmount Sink With Drainer



### Specifications /

<b>Sink size</b>	740W x 350H mm
<b>Bowl size</b>	3/4 Bowl 330W x 270H x 155D / 12L
<b>Construction</b>	2 piece, bowls and drainer seam welded
<b>Material</b>	304 grade, 18/10 polished stainless steel (0.8 mm thick)
<b>Installation</b>	Topmount recommended
<b>Fixings</b>	Adjustable clips and sealing foam supplied
<b>Min cabinet size</b>	500 mm
<b>Tap holes</b>	Available 0 or 1 tap hole only (specify when ordering)
<b>Waste fittings</b>	1 x 90 mm basket waste included
<b>Overflow</b>	Not available
<b>Carton size</b>	757 x 367 x 182 mm
<b>Weight</b>	4 kg
<b>Warranty</b>	Lifetime manufacturer's warranty (refer to <a href="http://oliveri.com.au">oliveri.com.au</a> )
<b>Maintenance and care instructions</b>	All surfaces should be cleaned with mild liquid detergent or soap and water. To maintain the shine on your Oliveri stainless steel sink, we recommended the use of any of the easy to obtain, non-abrasive stainless steel cleaners or metal polishes.

### Included accessories /



**AC14**  
Basket Waste



**AC02**  
Colander



For more information call 1300 13 7465 or visit [oliveri.com.au](http://oliveri.com.au)

**BATHROOM COLLECTIVE**

Phone Number: (02) 9011-5711