

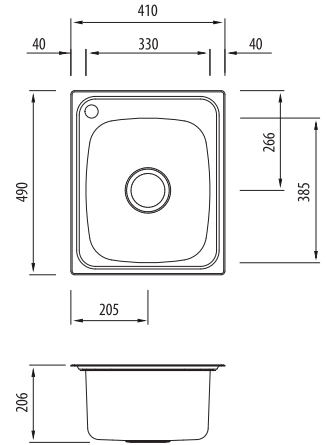
Martini

440

Standard Bowl Topmount Sink



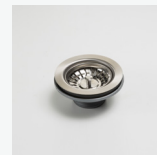
All dimensions in mm



Specifications /

Sink size	410W x 490H mm
Bowl size	Deep Bowl 330W x 385H x 190D / 21L
Construction	2 piece, bowls and rim seam welded
Material	304 grade, 18/10 polished stainless steel (0.8 mm thick)
Installation	Topmount recommended
Fixings	Adjustable clips and sealing foam supplied
Min cabinet size	500 mm
Tap holes	Available 0 to 2 tap holes (specify when ordering)
Waste fittings	1 x 90 mm basket waste included
Overflow	Available, conditions apply
Carton size	500 x 420 x 220 mm
Weight	4 kg
Warranty	Lifetime manufacturer's warranty (refer to oliveri.com.au)
Maintenance and care instructions	All surfaces should be cleaned with mild liquid detergent or soap and water. To maintain the shine on your Oliveri stainless steel sink, we recommended the use of any of the easy to obtain, non-abrasive stainless steel cleaners or metal polishes.

Included accessories /



AC14
Basket Waste



For more information call 08 8348 6444 or visit oliveri.com.au

BATHROOM COLLECTIVE

Phone Number: (02) 9011-5711