

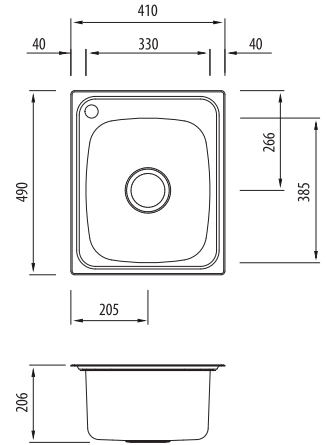
Martini

440

Standard Bowl Topmount Sink



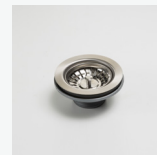
All dimensions in mm



Specifications /

| | |
|--|--|
| Sink size | 410W x 490H mm |
| Bowl size | Deep Bowl 330W x 385H x 190D / 21L |
| Construction | 2 piece, bowls and rim seam welded |
| Material | 304 grade, 18/10 polished stainless steel (0.8 mm thick) |
| Installation | Topmount recommended |
| Fixings | Adjustable clips and sealing foam supplied |
| Min cabinet size | 500 mm |
| Tap holes | Available 0 to 2 tap holes (specify when ordering) |
| Waste fittings | 1 x 90 mm basket waste included |
| Overflow | Available, conditions apply |
| Carton size | 500 x 420 x 220 mm |
| Weight | 4 kg |
| Warranty | Lifetime manufacturer's warranty (refer to oliveri.com.au) |
| Maintenance and care instructions | All surfaces should be cleaned with mild liquid detergent or soap and water. To maintain the shine on your Oliveri stainless steel sink, we recommended the use of any of the easy to obtain, non-abrasive stainless steel cleaners or metal polishes. |

Included accessories /



AC14
Basket Waste