

PIETRA BIANCA

AUTUMN



PRODUCT SIZE: 1500MM

PRODUCT CODE: PB4097-15

5 YEAR RESIDENTIAL
MANUFACTURER'S WARRANTY

3 YEAR COMMERCIAL
MANUFACTURER'S WARRANTY

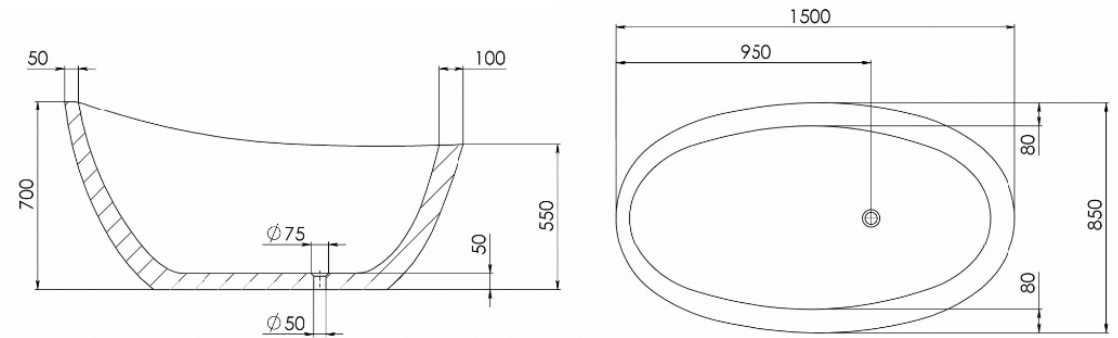
The Autumn freestanding bath presents a free-flowing design with beautiful curves, smooth lines and a wide rimmed edge. The Autumn bath is a statement piece that will add an element of luxury to any bathroom.

PIETRA BIANCA MATERIAL

The Autumn freestanding bath is made from our eco-friendly non-porous composite stone material. Created from our unique blend of reclaimed marble, limestone and engineered resins, our composite stone offers great heat retention, durability and is environmentally friendly.

Please note, due to the handmade nature and the high content of natural stone, colour and dimensional tolerances apply.

Approximate weight: 135kg



AVAILABLE COLOURS



Pietra Bianca offers an optional overflow drain and/or a complimenting stone drain cover at an additional cost.

BATHROOM COLLECTIVE

Phone Number: (02) 9011-5711