

PIETRA BIANCA

AUTUMN



PRODUCT SIZE: 1700MM

PRODUCT CODE: PB4097-17

5 YEAR RESIDENTIAL
MANUFACTURER'S WARRANTY

3 YEAR COMMERCIAL
MANUFACTURER'S WARRANTY

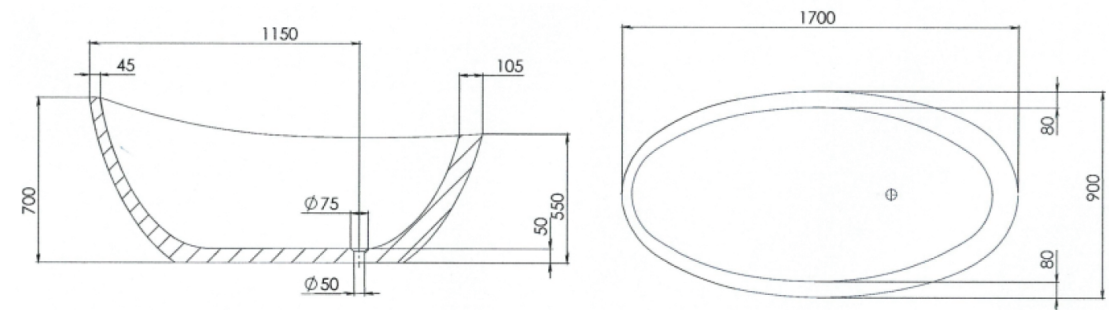
The Autumn freestanding bath presents a free-flowing design with beautiful curves, smooth lines and a wide rimmed edge. The Autumn bath is a statement piece that will add an element of luxury to any bathroom.

PIETRA BIANCA MATERIAL

The Autumn freestanding bath is made from our eco-friendly non-porous composite stone material. Created from our unique blend of reclaimed marble, limestone and engineered resins, our composite stone offers great heat retention, durability and is environmentally friendly.

Please note, due to the handmade nature and the high content of natural stone, colour and dimensional tolerances apply.

Approximate weight: 145kg



Pietra Bianca offers an optional overflow drain and/or a complimenting stone drain cover at an additional cost.

AVAILABLE COLOURS

WHITE ONYX	WHITE MATTE	IVORY	
MAJIBU	MAJIBU SOLID	VANILLA BEAN	VANILLA BEAN SOLID
OCEAN SPRAY	OCEAN SPRAY SOLID	SAND STONE	SAND STONE SOLID
FOREST FERN	FOREST FERN SOLID	MISTI SMOKE	MISTI SMOKE SOLID
WHISPER GREY	WHISPER GREY SOLID	BISCUIT	BISCUIT SOLID
ASH GREY	ASH GREY SOLID	BUTTERSCOTCH	BUTTERSCOTCH SOLID
STORM GREY	STORM GREY SOLID	MUSHROOM	MUSHROOM SOLID
LIQUORICE	LIQUORICE SOLID	COCO BROWN	COCO BROWN SOLID

BATHROOM COLLECTIVE

Phone Number: (02) 9011-5711