

# Doccinox™ Ceiling Showers

## Installation, Care & Warranty



Release date: 20/06/2014

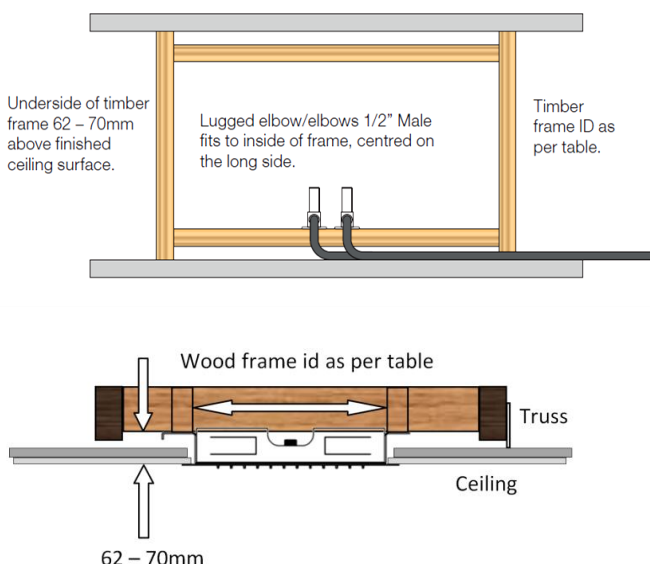
Congratulations on your purchase of a fine Doccinox shower.

***It is important to read and understand these instructions before rough in and installation to ensure the set up is correct.***

### Frame & Rough in

1. Doccinox Ceiling showers fit flush with the ceiling. Ensure that the ceiling/bulkhead above the shower is not too high for effective showering. Normally these showers are fitted 2200 – 2400 above shower floor.
2. These showers are supplied with a robust metal carcass that is normally fitted into the ceiling cavity before the ceiling plaster is hung providing a square and flat surface onto which to attach the shower face.
3. Builder to create a timber frame onto which the carcass attaches. There are various methods for fixing the carcass and this is up to the builder's discretion. The main points are:
  - The carcass is flat, level and square
  - The carcass is properly secured to take the weight of the shower plate
  - The underside of the carcass does not protrude below the finished ceiling surface, but is rather about 5mm recessed above finished ceiling underside.
4. A simple method is to create a timber frame to the dimensions below. This can be built from 35mmx 70mm stud timber or similar. Construct frame such that the underside of the frame is 62 – 70mm above the finished underside of the Ceiling. Make sure the frame is square and flat.

View from above

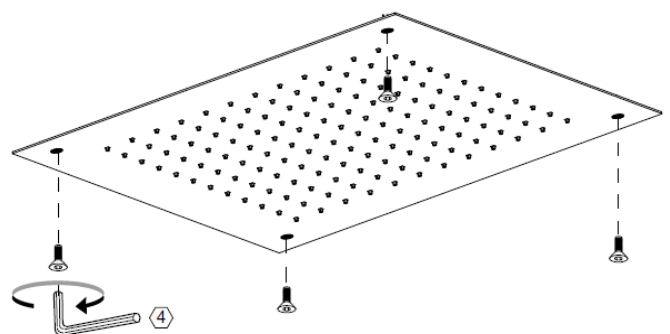
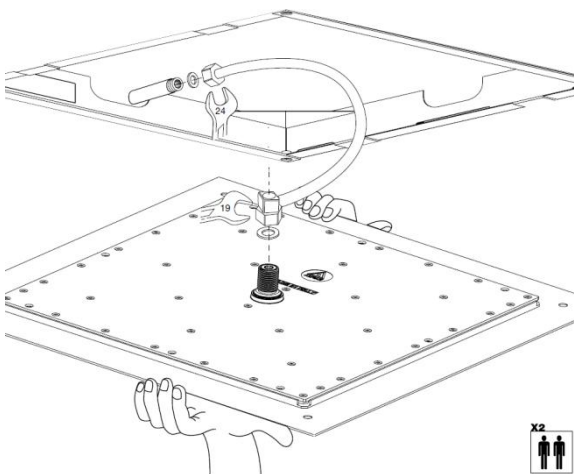


Models	Shower Face Size		Timber frame ID and ceiling cutout size	
	width	length	width	length
30780	380	380	340	340
30781	380	700	340	660
30782	380	700	340	660
30783	500	500	460	460
30784	500	500	460	460
30785	500	900	460	860

5. Attach the metal carcass to the timber frame using the metal brackets attached to the carcass. Use a suitable screw and washer to fix the carcass securely. Make sure it is accurately aligned and not forced out of true.
6. Plumber to position water supply lug/s on the inside of the timber frame above the carcass. For rectangular showers the lug/s should be located in the centre of 1 of the long sides so connection & fit off is easy.
7. Hang ceiling plasterboard such that it butts up to the edge of the carcass. Ensure that there are not large gaps around the carcass that the shower face will not cover.

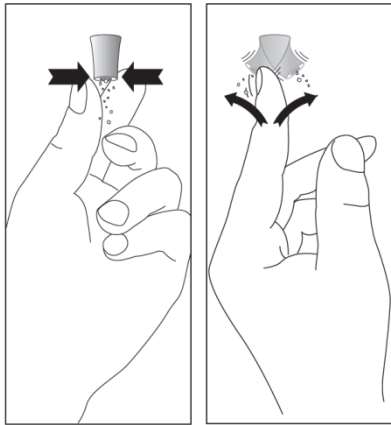
## Fit Off

1. Fit off shower face after plastering and painting.
2. Flush out the water supply lines to ensure that there is no debris being careful not to wet the ceiling
3. Check that the lugs have clean smooth ends to offer a good seal for the flexi connectors.
4. Before fitting the shower plate please note:
  - The shower face plates can bend if not evenly handled and carried, damage caused by poor handling is not covered by warranty
  - The Shower plates have sharp square edges, be careful not to injure yourself.
  - The shower plates can be heavy, ensure you have sufficient help to undertake fit off safely.
5. Ask a helper to hold the shower face in position whilst you connect the flexi connectors to the water supply lugs with the rubber washers provided. (no thread tape required). Make sure all fittings are tight and washers properly inserted.
6. Once hoses connected, lift the plate into position over the carcass and carefully fasten with the stainless steel screws supplied. Ensure that the screws pick up the threads properly and are not over tightened such as would deform the plate.



## Use, Care and Cleaning

- This shower must only be supplied with clean, municipal water
- Excessively hard or soft water should be pre-treated to prevent damage to shower.
- The Max water pressure is not to exceed 600 kpa
- The Max water supply temperature is not to exceed 60 degrees Celsius.
- Only clean your Doccinox Shower with warm water and a soft, clean microfiber cloth. Do not use anything abrasive and do not use any harsh chemicals or acids.
- If lime scale buildup occurs on the nozzles they can be easily cleaned by rubbing them with your finger.



# 15 Years Doccinox™ Showers Warranty

## Terms & Conditions of Warranty

Faucet Australia Pty Ltd warrants this Doccinox shower for 15 years for domestic use from date of purchase.

The liability under this warranty is limited to the repair or replacement of the product. This warranty covers faults in the product construction, material and assembly. Products which are within 15 years from the date of purchase, found upon inspection by an authorized Faucet Strommen representative, to be defective in construction, material or assembly, will be repaired or exchanged with an equivalent product free of charge. Replaced items become Faucet Strommen's property. The labour for replacing or repairing product to which this warranty applies will be supplied by Faucet Strommen for the first 5 years from date of purchase.

*Our goods come with guarantees that cannot be excluded under the Australian Consumer Law. You are entitled to a replacement or refund for a major failure and for compensation for any other reasonably foreseeable loss or damage. You are also entitled to have the goods repaired or replaced if the goods fail to be of acceptable quality and the failure does not amount to a major failure.*

The warranty may be invalid if any of the following circumstances exist:

- The product was installed improperly
- The product was used improperly
- The product was exposed to harmful chemicals or acids or extreme environmental conditions.
- The product was used in an application other than domestic
- Proof of purchase is not supplied
- Inadequate maintenance

For Commercial applications including Schools, Hotels, Hospitals, retirement Villages etc these products are limited to a 2 year warranty including replacement or repair and labour.

Claims must be accompanied with a proof of purchase and made directly to.

### **Faucet Australia Pty Ltd**

ABN: 83683523321

31 Tate Drive

Kerang VIC 3579

Ph: 03 5450 4236

admin@faucetstrommen.com.au