

Products Warranty - Australia

Faucet Australia Pty Limited (ABN 83 683 523 321) warrants its products to the original owner as per the periods in the table below. This Warranty applies to all product purchased on or after 24 Oct 2017. Our liability under this warranty is limited at our option to the repair or replacement of the defective product or part, the cost of repair of the defective product or part or the supply of an equivalent product or part, in each case if we are satisfied the loss or damage was due to a defect in the materials or workmanship of the product or part.

Product Category	Residential Warranty Period	Commercial Warranty Period
Tapware, Showers, Accessories	5 Years parts & labour + 10 years parts	2 Years parts & labour + 3 years parts
Intro Tapware	1 Year parts & labour + 4 years parts	1 Year parts & labour
Silkstone Baths & Basins	Lifetime	2 Years parts & labour
Special Finishes	5 Years parts & labour	2 Years parts & labour

Note: "Residential" refers to normal residential domestic purposes including houses and residential apartments. "Commercial;" refers to all non-residential purposes including Hotels, Schools, Care homes, Hospitals, clubs etc.

Exceptions

Defects caused by improper use, improper installation, surface damage caused by installation, improper care of the product or failure to observe any one or more of the following will not be covered by this Warranty:

1. Applicable Health Acts;
2. Installation in accordance with manufacturer's instructions and specifications (Note: Tapware, mixers and filters must be installed by qualified plumber);
3. All products to be cleaned with only warm water and a soft clean cloth
4. Tapware and showers to be supplied with only clean potable water
5. Tapware and showers to be subject to no more than 700kpa whether during use or during site testing, and site must be fitted with 500kpa mains pressure limiting valve.
6. Tapware and showers to be subject to water temperatures no hotter than 65 degrees Celsius
7. Tapware and showers to be installed in accordance with AS/NZS 3500 and other standards which govern the water supply and sewerage plumbing requirements at the location of installation.

Limitations

8. Warranty does not cover fair wear and tear on sealing rings and washers. Depending on usage and conditions these may have to be replaced within the Warranty period;
9. For finishes, this warranty does not cover damage caused by use of chemicals or detergents or abrasives and is limited to coating failure by bubbling, cracking or flaking. Note that Organic finishes are expected to change colour, develop patina and verdigris.
10. Does not cover any loss or damage sustained by the consumer (including consequential loss or damage), in respect of the product or failure or omission on the part of Faucet Australia to comply with its obligations under these conditions.
11. For Baths & Basins, The warranty does not cover damage caused by exposure to direct sunlight or UV, exposure to temperatures over 60 degrees Celsius, damage caused by dropping sharp or heavy objects.
12. For Baths and basins this warranty does not cover damage caused by Strong Chlorinated solvents, Chloroform, Chlorobenzene, Nail polish remover, Methylene Chloride, Acetone, Turpentine, Ethyl Acetate, Acids, Ketones, Phenols, Ethers, Drain Cleaner, Toilet Cleaner, Salts, Oils, Milks and bathwater additives, non-approved liquids or Chemicals.

Lodging a claim

Claims must be lodged immediately or within 3 days of detection. Proof and Date of purchase from a Faucet Strommen dealer along with site details and contacts will be required to process a claim. All claims must be lodged with Faucet Australia via one of these methods:

Phone: 03 5450 4236

Email: sales@faucetstrommen.com.au

Mail: PO Box 271 Kerang VIC 3579

Your costs in making a claim under this warranty, including all freight, collection and delivery costs are to be borne and paid by you. We also reserve the right at our cost to inspect any alleged defect in the product wherever it is located or installed or on our premises.

Other Conditions

Our goods come with guarantees that cannot be excluded under the Australian Consumer Law. You are entitled to a replacement or refund for a major failure and for compensation for any other reasonably foreseeable loss or damage. You are also entitled to have the goods repaired or replaced if the goods fail to be of acceptable quality and the failure does not amount to a major failure.

Faucet Australia Pty Ltd 24 Oct 2017

Installation Guide **IG 018**

Release Date: 10.07.20

Progressive Wall Mixer Sets



Suits Models:

30909, 30910, 30911, 30912, 30913, 30914, 30949, 30950, 30951, 30952, 30953, 30954, 33731, 33881, 33882, 33883, 33884, 33885, 33886, 33888, 33889, 33890, 33891, 33892, 33893

Important requirements:



Must be fitted in accordance with AS/NZS 3500 by qualified plumber



Mains 500kpa regulator must be fitted



Maximum hot water temp. 65°C



Water lines must be flushed prior to connection



Only clean municipal water supply. No bore, dam or hard water without filtration & treatment

Cleaning

Clean only with a soft microfiber or similar cloth and warm clean water. Ensure that the cloth is clean and free of any grit or chemical. Dry tap off with a soft clean cloth. Ensure that your tap is not subject to any chemicals, building grit or any type of abrasive or polish. For care of special finishes please visit our website.

Maintenance

Aerators may need to be flushed from time to time if flow diminishes or stream pattern deteriorates. For Pegasi & Cascade mixers, use the aerator key provided to unscrew the aerator, you will notice a "castle" pattern around the edge of the aerator, the key engages with this enabling you to unscrew the insert easily. For Zeos models, use the aerator key to unscrew the aerator housing, you will then be able to pop the insert out the top of the housing. Rinse off the upper face of the insert with running water and gently brush clean with an old toothbrush to remove any debris before refitting the aerator.

Faucet Australia Pty Ltd
www.faucetstrommen.com.au

ABN 83683523321
P: +61 3 5450 4236

31 Tate Drive, Kerang VIC 3579
sales@faucetstrommen.com.au

Rough In

1. Ensure that the in-wall nogging depth is correct and that the nogging is plumb. Position the noggin such that the front face of the noggin is **62mm** behind the **front face** of the **finished tiled surface**. (note that there is a maximum of $\pm 8\text{mm}$ adjustment at fit off). [See diagram A](#)
2. Fix the body to the stud with the **Mixer to the right** and **outlet to the left**, [See diagram B](#)
3. Connect the Hot supply to the inlet port on the bottom marked "H" and the Cold supply to the top Inlet marked "C".
4. Once plumbing is all connected pressure test the system. **Do not exceed 500kpa pressure testing** whether dynamic or static. Testing over 500 kpa will void the warranty for this product.
5. The mixer body is fitted with a black shroud (also a tile guide) and the outlet with a clear plastic sleeve, these should always remain in place. The red dust cover may be removed for testing, but otherwise should remain in place.
6. Wall sheeting and tiling can be laid **close to the shroud** and waterproofing membrane and grout can be adhered to the shroud.
7. An indicator on the end of the shroud shows the range that can be accommodated at fit off for the finished tile face position.
8. When tiling, note that the dress ring is **51mm diameter**, so be sure to tile close to the shroud so there are no gaps showing after fit off. [See diagram C](#)

Mixer Fit Off

1. Remove excess tile grout from around the shroud to allow a flush fitment of the cover ring.
2. Remove the red dust cap and use a sharp knife to cut away the black shroud that protrudes past the finished tile surface and ensure that the area around the shroud is flat and free of protrusions.
3. Place the red fiber washer onto the locking sleeve and screw the sleeve onto the body until up against the tiles. Nip up gently being careful not to damage or crack the tiles. [See diagram C](#)
4. Note that there are 2 **splined adaptors** supplied. For shallower installations use the shorter adaptor, for deeper installations use the longer adaptor. (tip, if you had to cut off more than 8mm of black plastic shroud, use the short adaptor, if you cut off less than 8mm of shroud use the long adaptor)
5. Note that the valve spline and the adaptor spline have **un-splined segments** it is important that these **properly mesh** and align when the adaptor is fitted.
6. Ensure that the valve is in the off position (all the way anticlockwise), then fit the adaptor to the valve spline such that one of the **milled slots is facing up** and the other to the right.
7. Ensure that the adaptor is oriented such that the grooved face is facing out. [See diagram D](#)
8. Press the adaptor all the way on and fasten in place with the hex drive screw provided.
9. Note that the dress ring includes indication markings. Place the ring over the locking sleeve and position such that the "I" symbol is facing the top, then loosely fit the 3 attachment screws.
10. To ensure that the dress ring is perfectly concentric to the valve, we have supplied a round plastic **Concentricity spacer**. Slide this over the adaptor and locate it into the cover ring, then fasten the ring in place ensuring the "I" symbol is to the top.

11. Remove and discard the concentricity spacer.
12. Note that there is a pre inserted grub screw in the handle that just protrudes into the bore.
13. Place the black **slip ring** onto the step machined in the back of the handle then press the handle onto the tap with the **wave form** to the **top**. The handle should slide over the adaptor with the grub screw engaging in the slot.
14. The handle should slide on until it presses smoothly up to the dress ring, square and flat.
15. **To fasten**, rotate the handle through **90 degrees clockwise** until the waveform passes over the **small fastening hole** in the dress ring. Insert the allen key through the hole and tighten the handle by fastening the grub screw onto the adaptor.
16. The handle should now operate smoothly and freely to control the tap through 180 degrees (half a turn)
17. Progressive valves open clockwise, over the first 90 degrees of rotation the cold water opens to full flow, then from 90-180 degrees the valve goes from warm to hot.
18. Thoroughly check operation and seek assistance from Faucet Strommen should anything not be functioning to expectation.

Spout Fit Off

1. Cut off what protrudes of the clear plastic sleeve around the outlet thread
2. Remove the black cap off the outlet thread and apply a suitable amount of thread tape.
3. Press the flange over the outlet and screw the outlet onto the thread until close to the wall, then press the flange up against the wall.

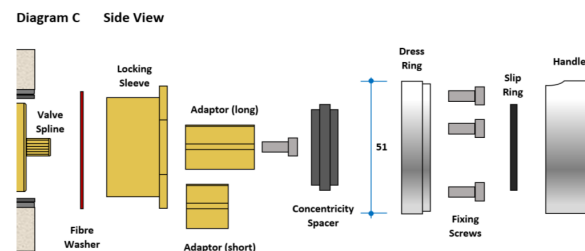
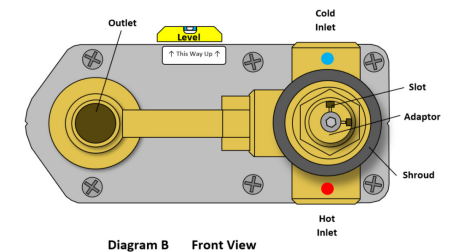
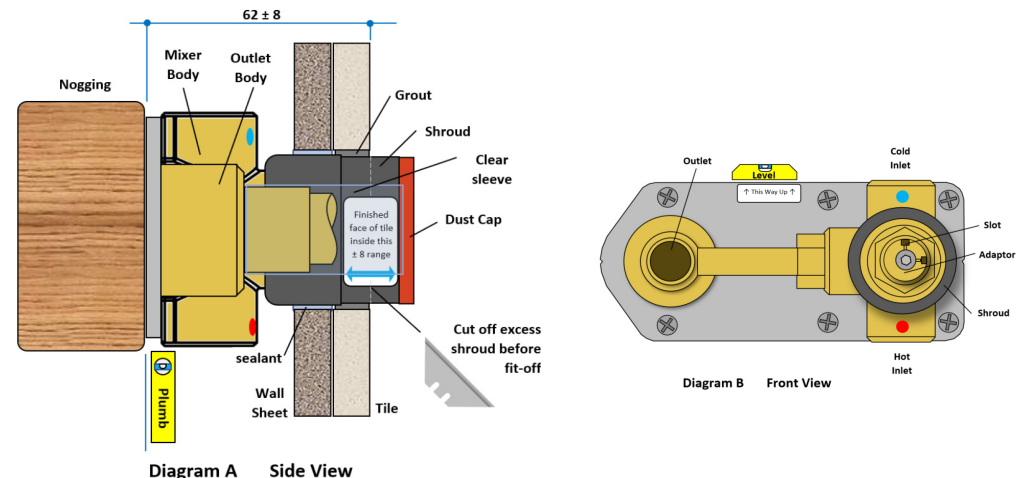


Diagram D

