



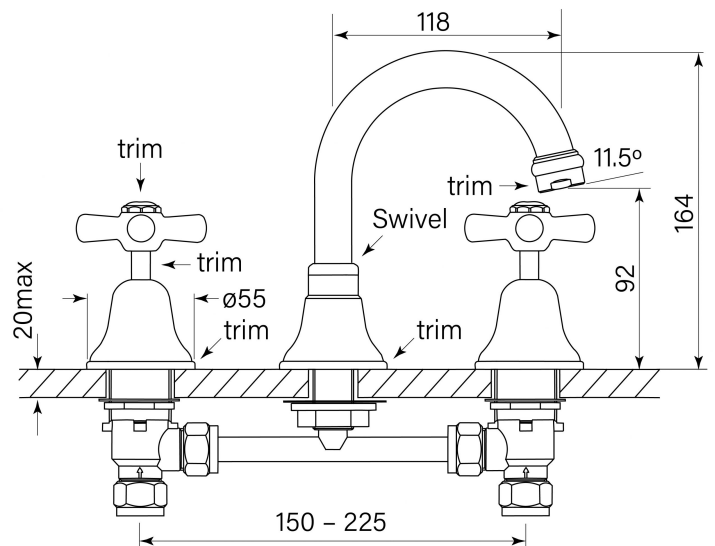
PRODUCT SPECIFICATION

30001

CASCADE BASIN SET, CROSS

FEATURES

- WELS 5* 6 lpm
- Swivel spout 118 mm reach
- Durable copper jumper valves
- Mount handles through 32-35 mm holes
- Mount spout through 24-30 mm hole
- Max 20 mm mount thickness
- Ceramic valve kit 3/4 turn option extra
- WELS registration number T20621 / T20621 (V)



BATHROOM COLLECTIVE

Phone Number: (02) 9011-5711