



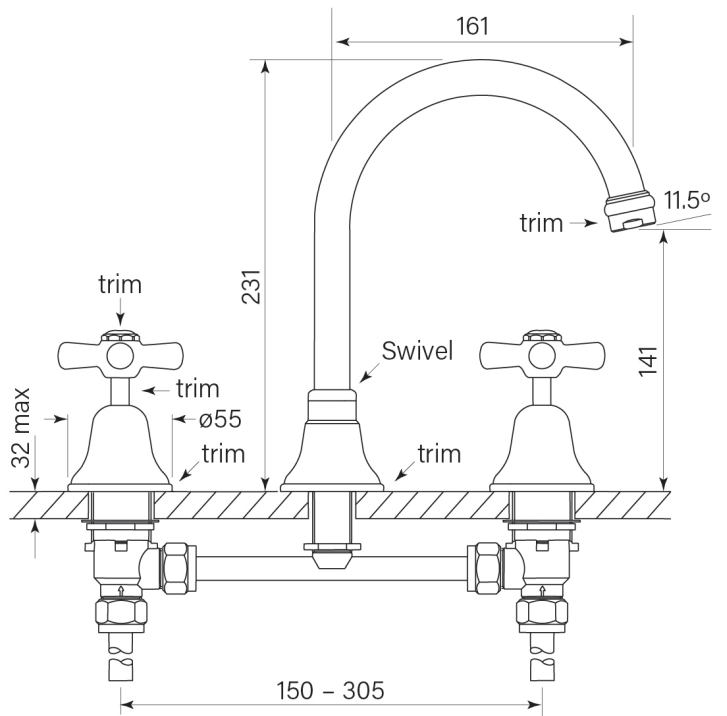
PRODUCT SPECIFICATION

30181

CASCADE SINK SET, VANITY, CROSS

FEATURES

- WELS 4* 7.5 lpm
- Swivel spout 161 mm reach
- Durable copper jumper valves
- Mount handles through 32-35 mm holes
- Mount spout through 24-30 mm hole
- Max 32 mm mount thickness
- Ceramic valve kit 3/4 turn option extra
- WELS registration number T20683 / T20683 (V)



BATHROOM COLLECTIVE

Phone Number: (02) 9011-5711