

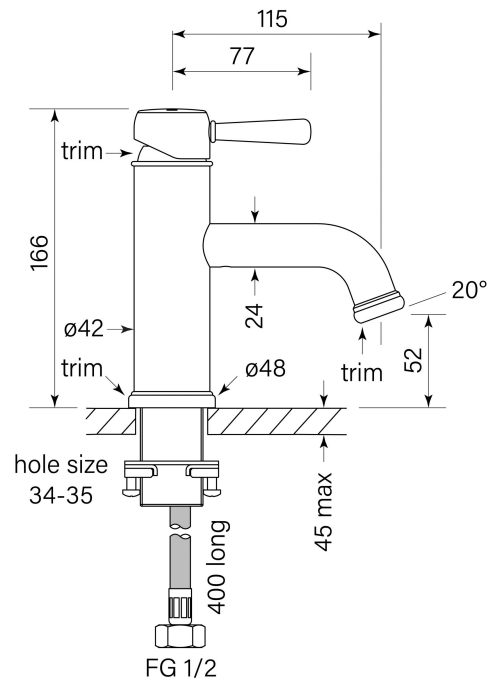


PRODUCT SPECIFICATION

# 30560 CASCADE BASIN MIXER

FEATURES

- WELS 5\* 6 lpm
- Reach 115 mm
- 2 stage Flowstep™ valve
- Tap Hole 34-35 mm
- WELS registration number T40997



## BATHROOM COLLECTIVE

Phone Number: (02) 9011-5711