



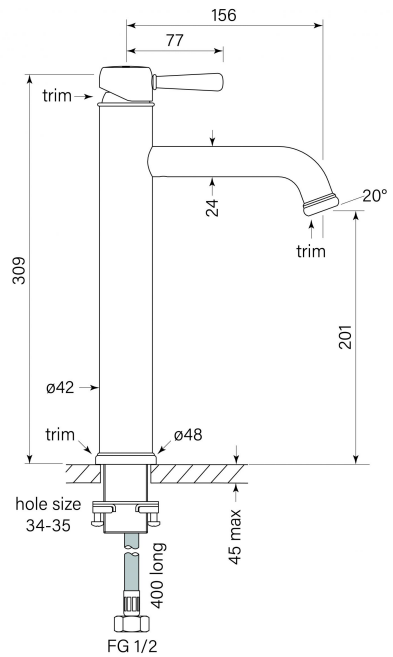
PRODUCT SPECIFICATION

30562

CASCADE BASIN MIXER, TALL 208H

FEATURES

- WELS 5* 6 lpm
- Reach 156 mm
- 2 stage Flowstep™ valve
- Tap Hole 34-35 mm
- Spout height 201 mm
- WELS registration number T40998



BATHROOM COLLECTIVE

Phone Number: (02) 9011-5711