



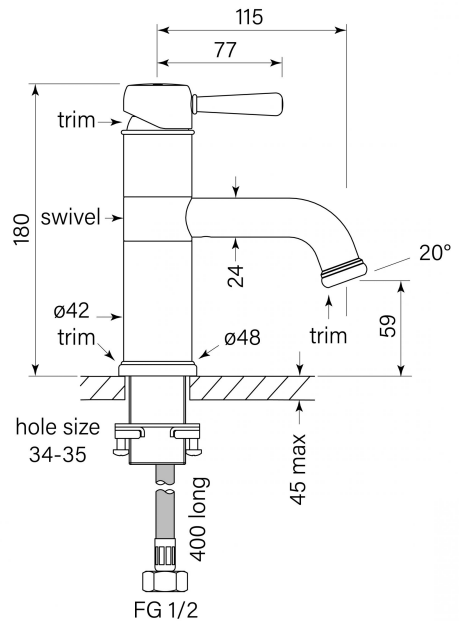
PRODUCT SPECIFICATION

30563

CASCADE BASIN MIXER, SWIVEL

FEATURES

- WELS 5* 6 lpm
- Swivel spout reach 115 mm
- 2 stage Flowstep™ valve
- Tap Hole 34-35 mm
- WELS registration number T41034



BATHROOM COLLECTIVE

Phone Number: (02) 9011-5711