

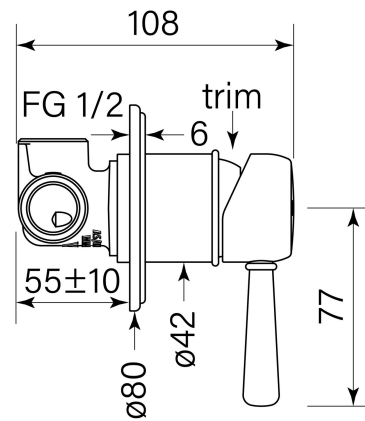


PRODUCT SPECIFICATION

30567
CASCADE WALL MIXER

FEATURES

- ø80 mm cover plate
- For shower, bath, basin or sink application
- Includes Logikit™ body
- 2 stage Flowstep™ valve



BATHROOM COLLECTIVE

Phone Number: (02) 9011-5711