



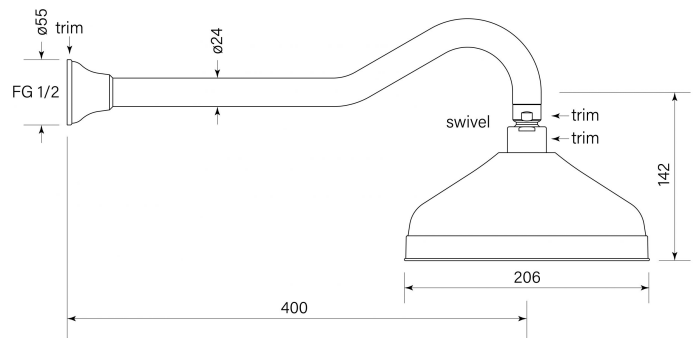
PRODUCT SPECIFICATION

30573

CASCADE SWAN NECK SHOWER

FEATURES

- WELS 3\* 9 lpm
- 206 mm shower head
- Swivel ball joint
- 400 mm reach
- Silicone spray nozzles
- WELS registration number S13452



**BATHROOM COLLECTIVE**

Phone Number: (02) 9011-5711