



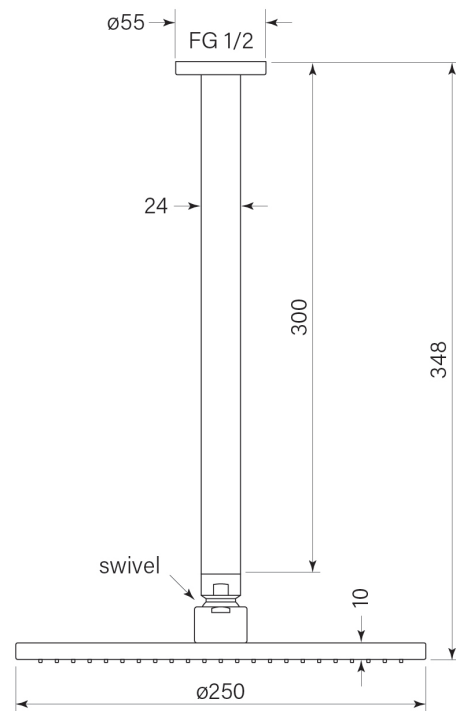
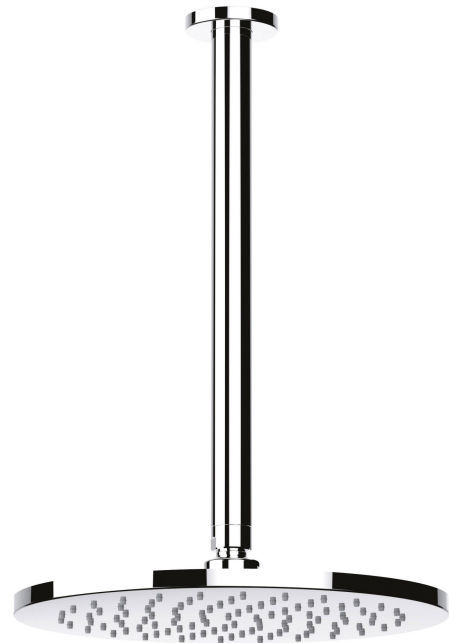
PRODUCT SPECIFICATION

30666

PEGASI OVERHEAD SHOWER 300 CDROP 250HEAD

FEATURES

- WELS 3* 9 lpm
- 300 mm ceiling dropper
- 250 mm round head
- WELS registration number S17035



BATHROOM COLLECTIVE

Phone Number: (02) 9011-5711