



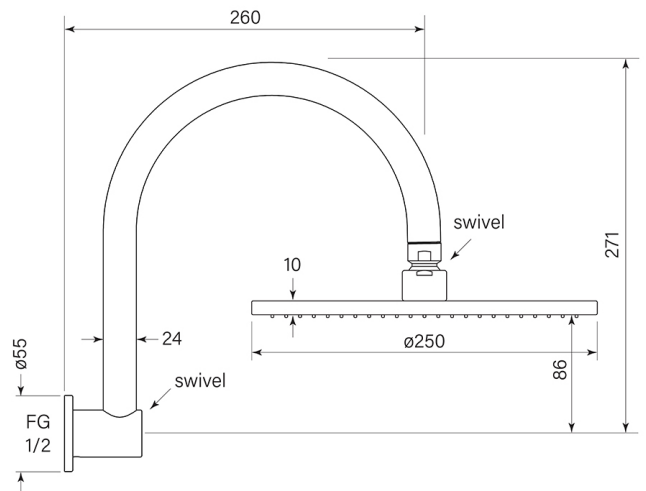
PRODUCT SPECIFICATION

30668

PEGASI OVERHEAD SHOWER HCURVE 250HEAD

FEATURES

- WELS 3* 9 lpm
- Reach 260 mm
- Swivel arm
- 250 mm round head
- WELS registration number S17020



BATHROOM COLLECTIVE

Phone Number: (02) 9011-5711