



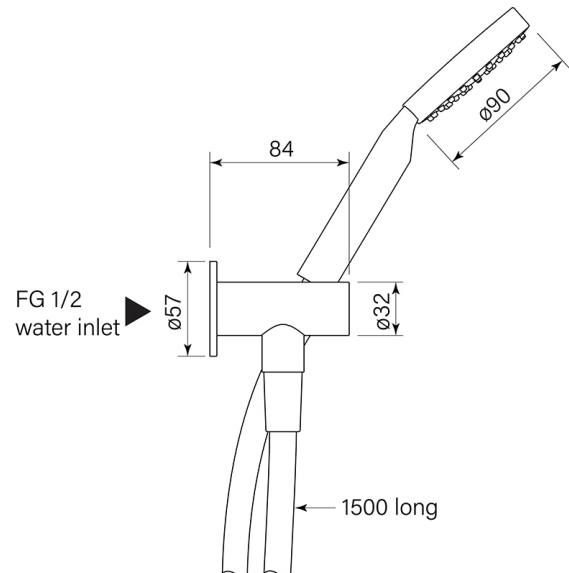
PRODUCT SPECIFICATION

30678

PEGASI HAND SHOWER ON ADJUSTABLE HOOK, 90RND

FEATURES

- WELS 3* 9 lpm
- Slim 90mm round brass hand shower
- Clasp with adjustable angle
- WELS registration number S17043



BATHROOM COLLECTIVE

Phone Number: (02) 9011-5711