



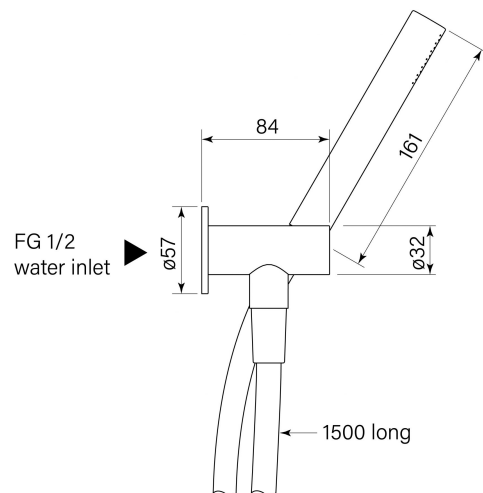
PRODUCT SPECIFICATION

30679

PEGASI HAND SHOWER ON ADJUSTABLE HOOK, MICRO

FEATURES

- WELS 3\* 9 lpm
- Micro hand shower
- Clasp with adjustable angle
- WELS registration number S17004



**BATHROOM COLLECTIVE**

Phone Number: (02) 9011-5711