



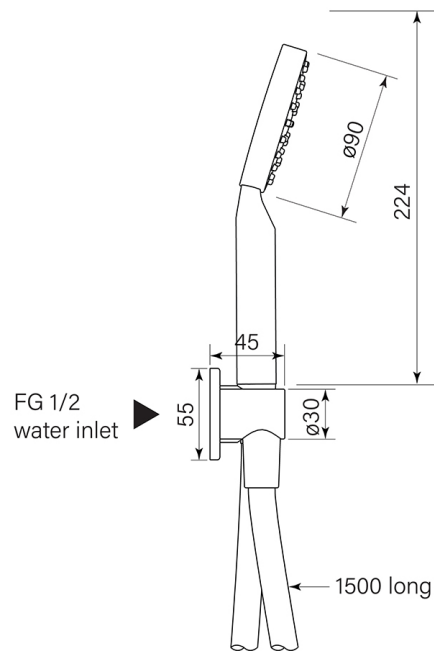
PRODUCT SPECIFICATION

30680

PEGASI HAND SHOWER ON HOOK, 90RND

FEATURES

- WELS 3* 9 lpm
- Slim 90mm round brass hand shower
- Fixed Hook
- WELS registration number S17039



BATHROOM COLLECTIVE

Phone Number: (02) 9011-5711