



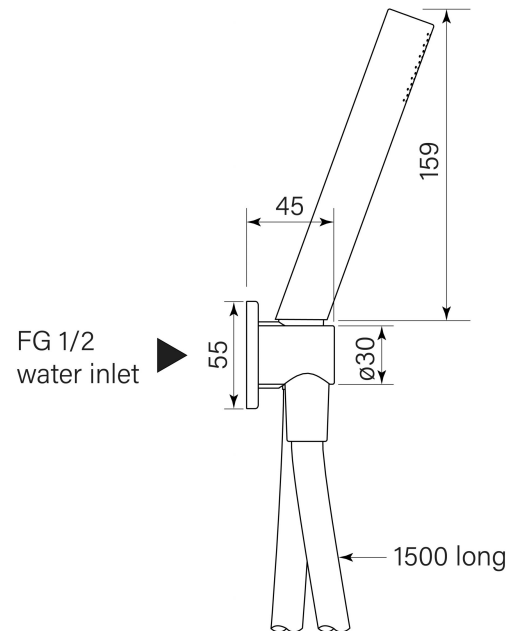
PRODUCT SPECIFICATION

30681

PEGASI HAND SHOWER ON HOOK, MICRO

FEATURES

- WELS 3* 9 lpm
- Micro hand shower
- Fixed Hook
- WELS registration number S16996



BATHROOM COLLECTIVE

Phone Number: (02) 9011-5711