



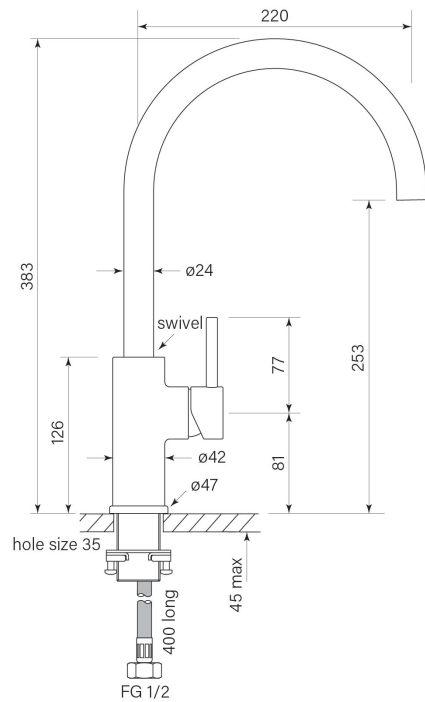
PRODUCT SPECIFICATION

30690

PEGASI M SINK MIXER CURVE 220

FEATURES

- WELS 4* 7.5 lpm
- Swivel spout reach 220 mm
- 2 stage flow step valve
- 34-35 mm sink hole
- Recessed aerator
- WELS registration number T41010
- To upgrade to the No Pin Handle, order either 34380 smooth, or 34381 knurled handle along with this mixer and we will supply assembled



BATHROOM COLLECTIVE

Phone Number: (02) 9011-5711