

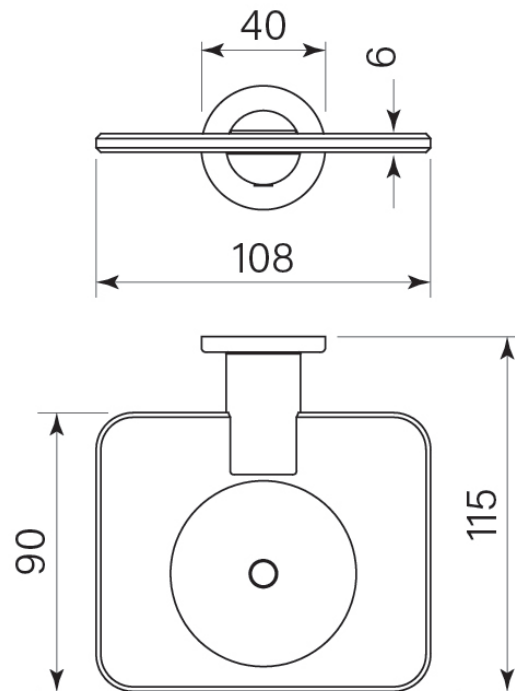
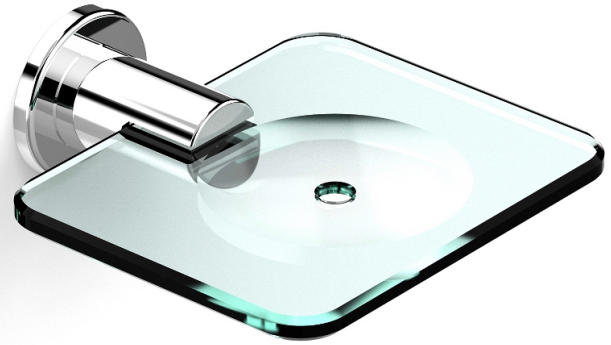


PRODUCT SPECIFICATION

**30708**  
PEGASI SOAP DISH

FEATURES

- Robust solid brass mount
- Tough plexiglass dish
- 40 mm round flange



**BATHROOM COLLECTIVE**

Phone Number: (02) 9011-5711