



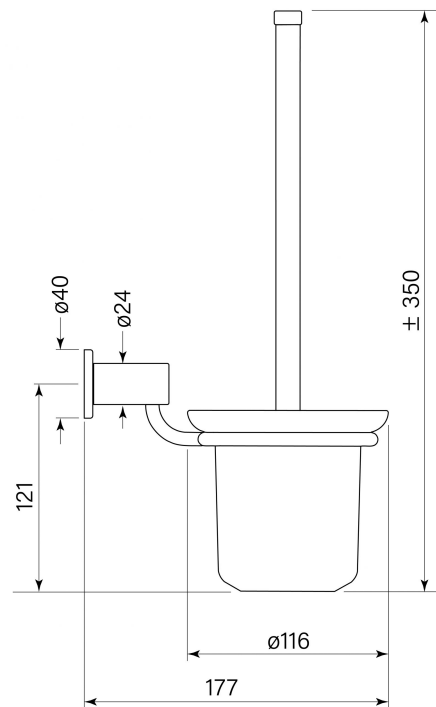
PRODUCT SPECIFICATION

30710

PEGASI TOILET BRUSH HOLDER

FEATURES

- Robust solid brass mount
- Frosted glass bowl
- 40 mm round flange
- Replacement bowl and brush heads available



**BATHROOM COLLECTIVE**

Phone Number: (02) 9011-5711