

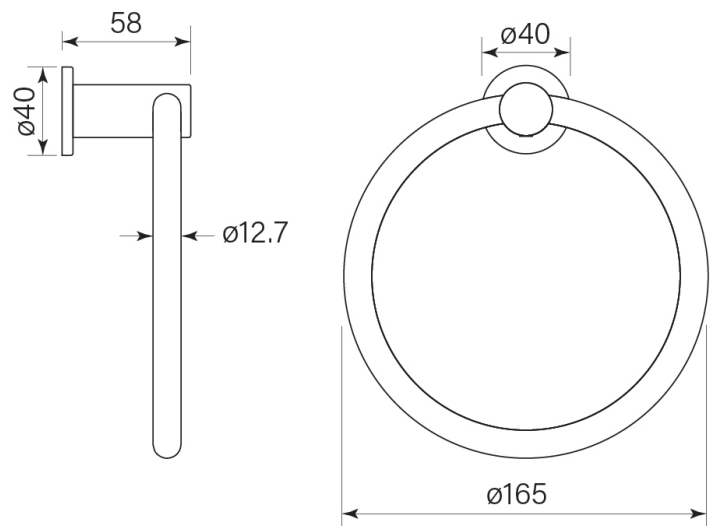


PRODUCT SPECIFICATION

**30718**  
**PEGASI TOWEL RING**

FEATURES

- Robust solid brass mount
- 165 mm round brass ring
- 40 mm round flange



**BATHROOM COLLECTIVE**

Phone Number: (02) 9011-5711