



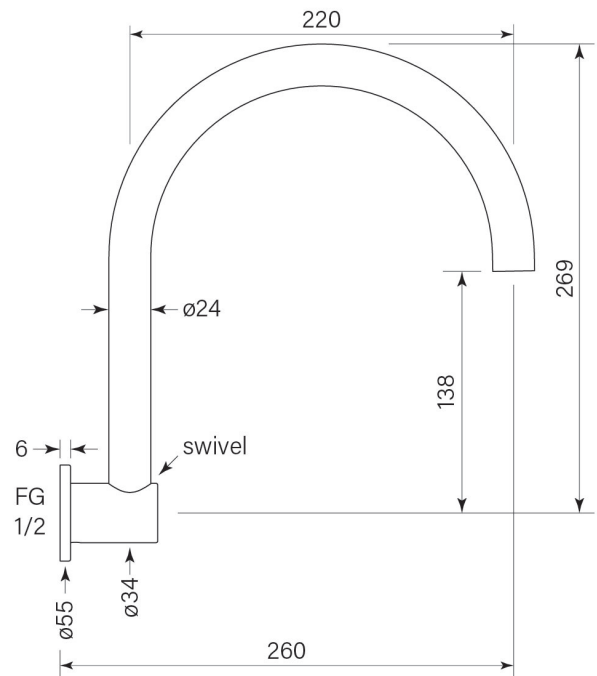
PRODUCT SPECIFICATION

30726

PEGASI WALL SINK SPOUT 260 SWIVEL

FEATURES

- WELS 4* 7.5 lpm
- Swivel spout reach 260 mm
- Recessed aerator
- WELS registration number T32224 / T32224 (V)



BATHROOM COLLECTIVE

Phone Number: (02) 9011-5711