



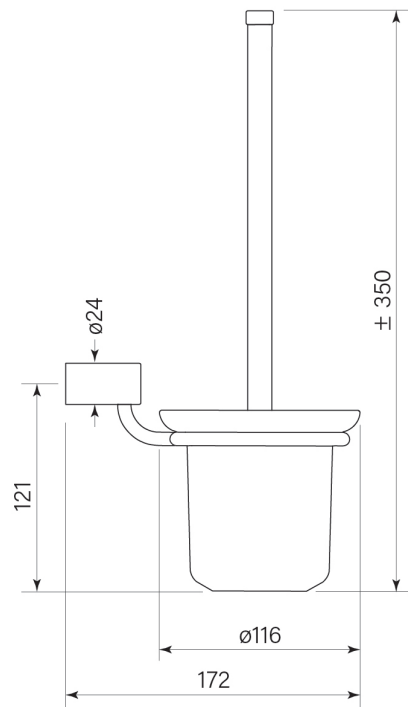
PRODUCT SPECIFICATION

30980

PEGASI NF TOILET BRUSH HOLDER

FEATURES

- Robust solid brass mount
- Frosted glass bowl
- Minimalist NF recessed mount
- Replacement bowl and brush heads available



**BATHROOM COLLECTIVE**

Phone Number: (02) 9011-5711