



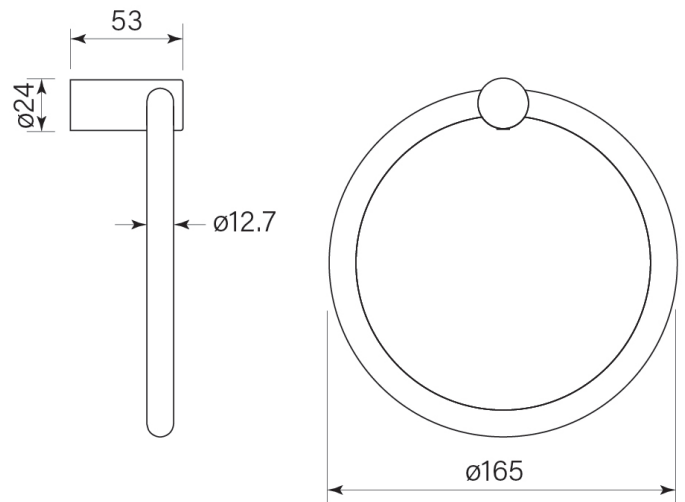
PRODUCT SPECIFICATION

30987

PEGASI NF TOWEL RING

FEATURES

- Robust solid brass mount
- Minimalist NF recessed mount
- 165 mm round brass ring



BATHROOM COLLECTIVE

Phone Number: (02) 9011-5711