



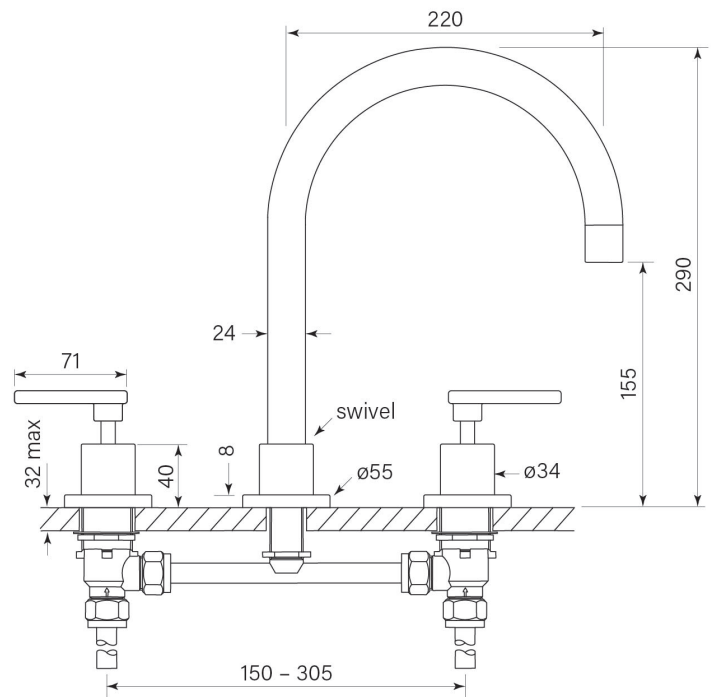
PRODUCT SPECIFICATION

31791

CHISEL D LEVER SINK SET HOB

FEATURES

- Coordinate with Pegasi showers and accessories
- Smooth action ceramic disc valves
- 1/4 turn lever handles
- Swivel spout reach 220 mm
- Mount handles through 32-35 mm holes
- Mount spout through 24-30 mm hole
- Max 32 mm mount thickness
- WELS 4* 7.5 lpm
- WELS registration number T31018 / T31018 (V)



BATHROOM COLLECTIVE

Phone Number: (02) 9011-5711