

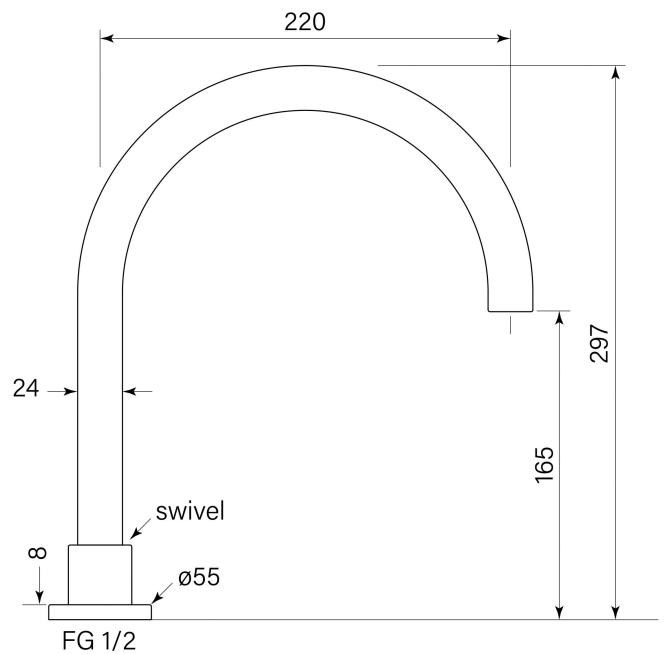


PRODUCT SPECIFICATION

31861
CHISEL D HOB SINK SPOUT

FEATURES

- Coordinate with Pegasi showers and accessories
- Swivel spout reach 220 mm
- WELS 4* 7.5 lpm
- WELS registration number T31029 / T31029 (V)



BATHROOM COLLECTIVE

Phone Number: (02) 9011-5711