



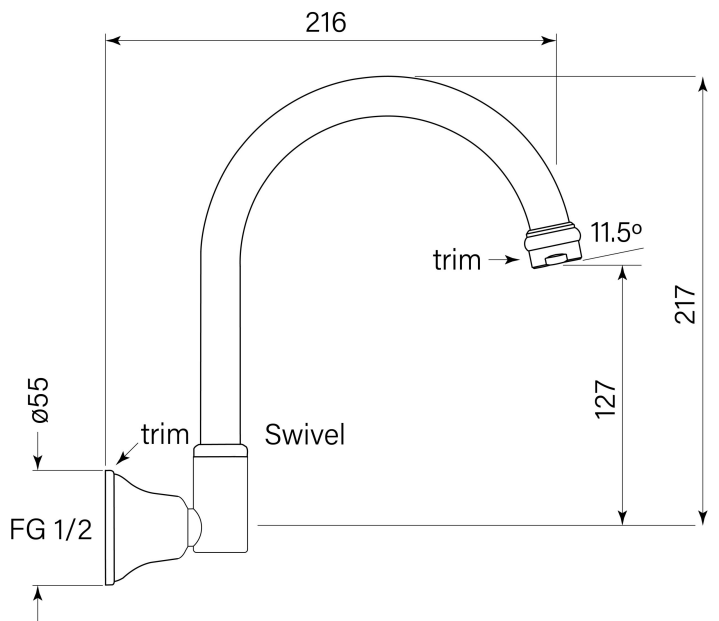
PRODUCT SPECIFICATION

34187

CASCADE SINK OUTLET, WALL

FEATURES

- WELS 4* 7.5 lpm
- Swivel spout 216 mm reach
- WELS registration number T41024



BATHROOM COLLECTIVE

Phone Number: (02) 9011-5711